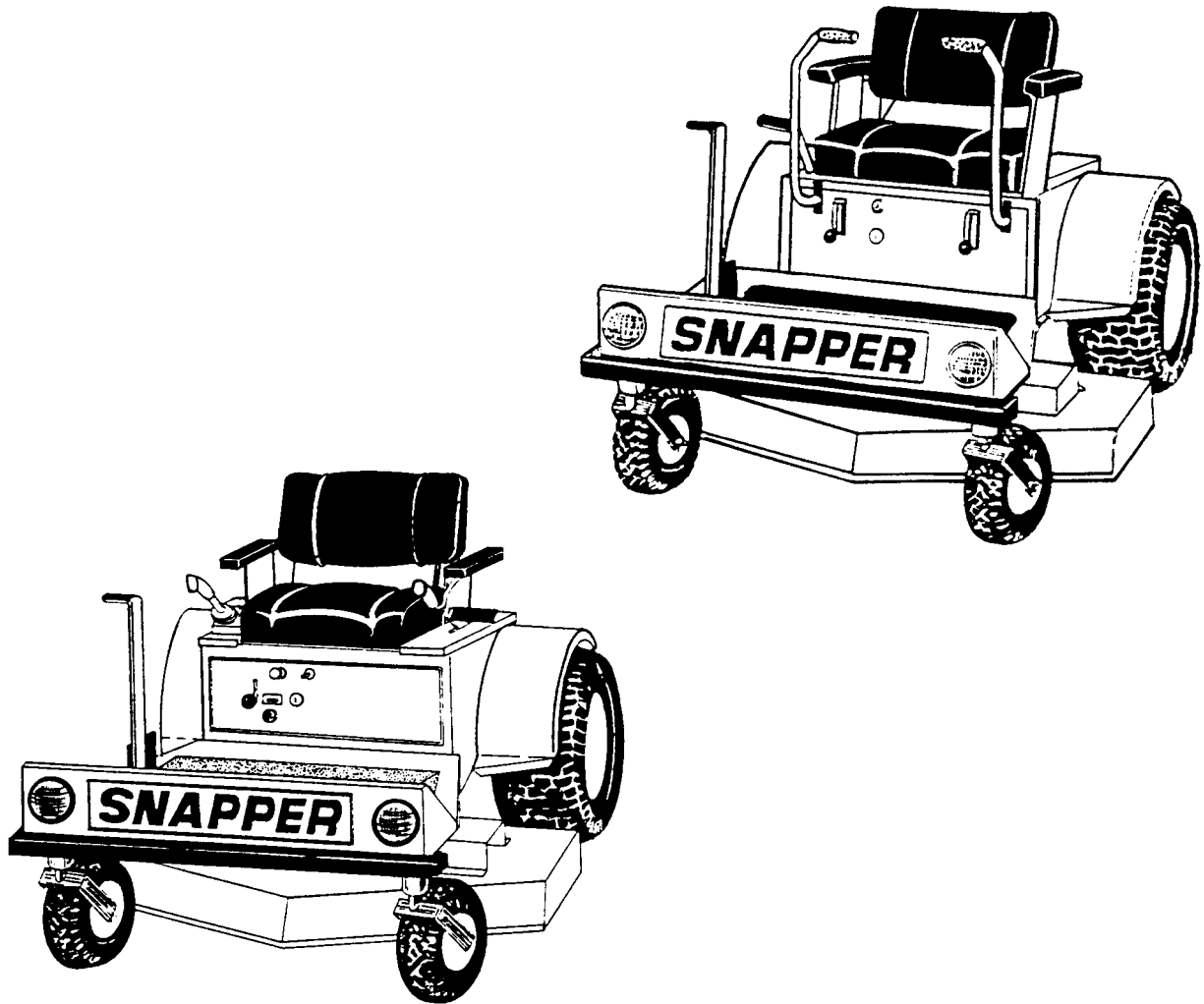


# **SNAPPER**®

## **ZERO TURNING RADIUS MOWER**

(Chain Drive - Series 0 & 1)



## **PARTS MANUAL**

**SNAPPER**®McDonough, GA., 30253 U.S.A.

COPYRIGHT © 1997  
SNAPPER INC.  
ALL RIGHTS RESERVED

(Rev.2, 8/97)  
(REPLACES Rev. 1, 1/91)

MANUAL No. 06413

## TABLE OF CONTENTS

BASIC MODEL IDENTIFICATION .....	1
TRACTORS AND RELATED PARTS:	
Body Cover Parts .....	2
Deluxe Seat Assembly .....	4
Joystick Deluxe Seat Assembly.....	5
Adjust Arm Rest Assembly .....	6
Battery Mount Parts .....	8
Hydrostat Parts .....	9
Joystick Hydrostat Parts .....	10
Hydrostat Cross Shaft Parts 5/8" Shaft.....	12
Side Plate Parts .....	13
Joystick Side Plate Parts .....	14
Brake Action Parts .....	15
Joystick Brake Action Parts, Left Side .....	16
Right Side .....	17
Steering Control Parts.....	18
Joystick Steering Control Parts .....	20
Neutral Return Parts .....	22
Jack Shaft Parts .....	23
Final Drive Parts W/Welded Hub .....	24
Final Drive Parts W/Cast Hub .....	25
Seat Stop Bracket Parts.....	26
Two-Lever Elect. Component Parts .....	27
Joystick Elect. Component Parts .....	28

Mule Drive Assembly "S" & "LB" Frames .....	29
"SK" & "LK" Frames .....	30
Deck Lift Handle Parts "S" & "SK" Frames ....	31
Spring Connection Parts "S" & "SK" Frames ....	32
Deck Lift Handle Parts "LB" & "LK" Frames ....	33
Spring Connection Parts "LB" & "LK" Frames ...	34
Caster Wheel Parts .....	35
Single Cylinder Engine Assembly .....	37
Engine Assembly 12.5 hp Van Guard .....	39
Twin Cylinder Engine Assembly (Briggs) .....	41
Twin Cylinder Engine Assembly (Kohler) .....	43
DECALS .....	45

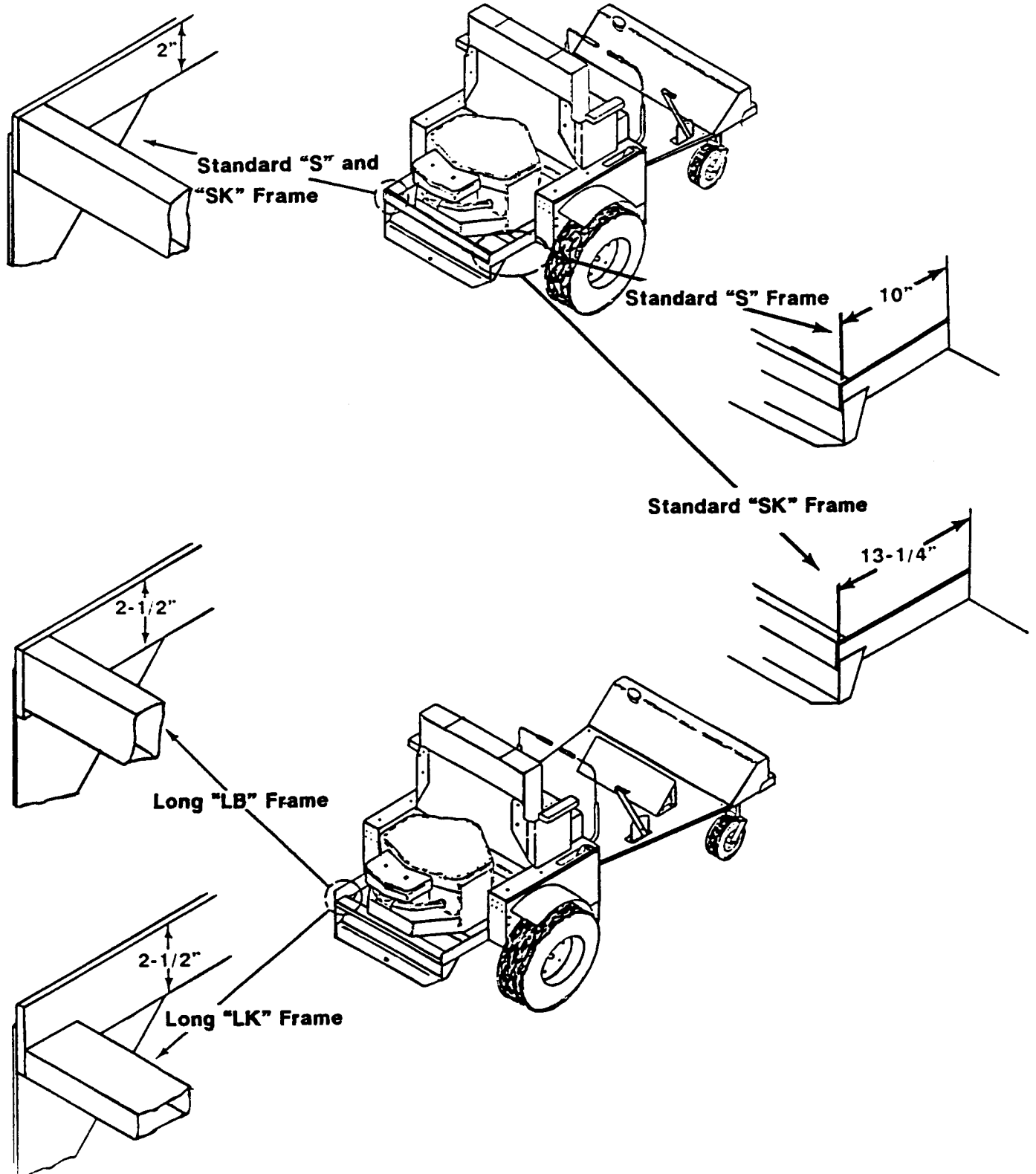
**MOWER DECK AND RELATED PARTS:**

Deck Spindle Assembly .....	46
Double Idler Assembly .....	48
Single Idler Assembly .....	49
42" and 48" Deck Assembly .....	50
60" Deck Assembly .....	52
Gauge Wheel Assembly .....	54

<p>IT IS THE POLICY OF SNAPPER TO IMPROVE ITS PRODUCTS WHENEVER IT IS POSSIBLE AND PRACTICAL TO DO SO. WE RESERVE THE RIGHT TO MAKE CHANGES OR ADD IMPROVEMENTS AT ANY TIME WITHOUT INCURRING ANY OBLIGATION TO MAKE SUCH CHANGES ON PRODUCTS MANUFACTURED PREVIOUSLY.</p>
--

# BASIC MODEL IDENTIFICATION

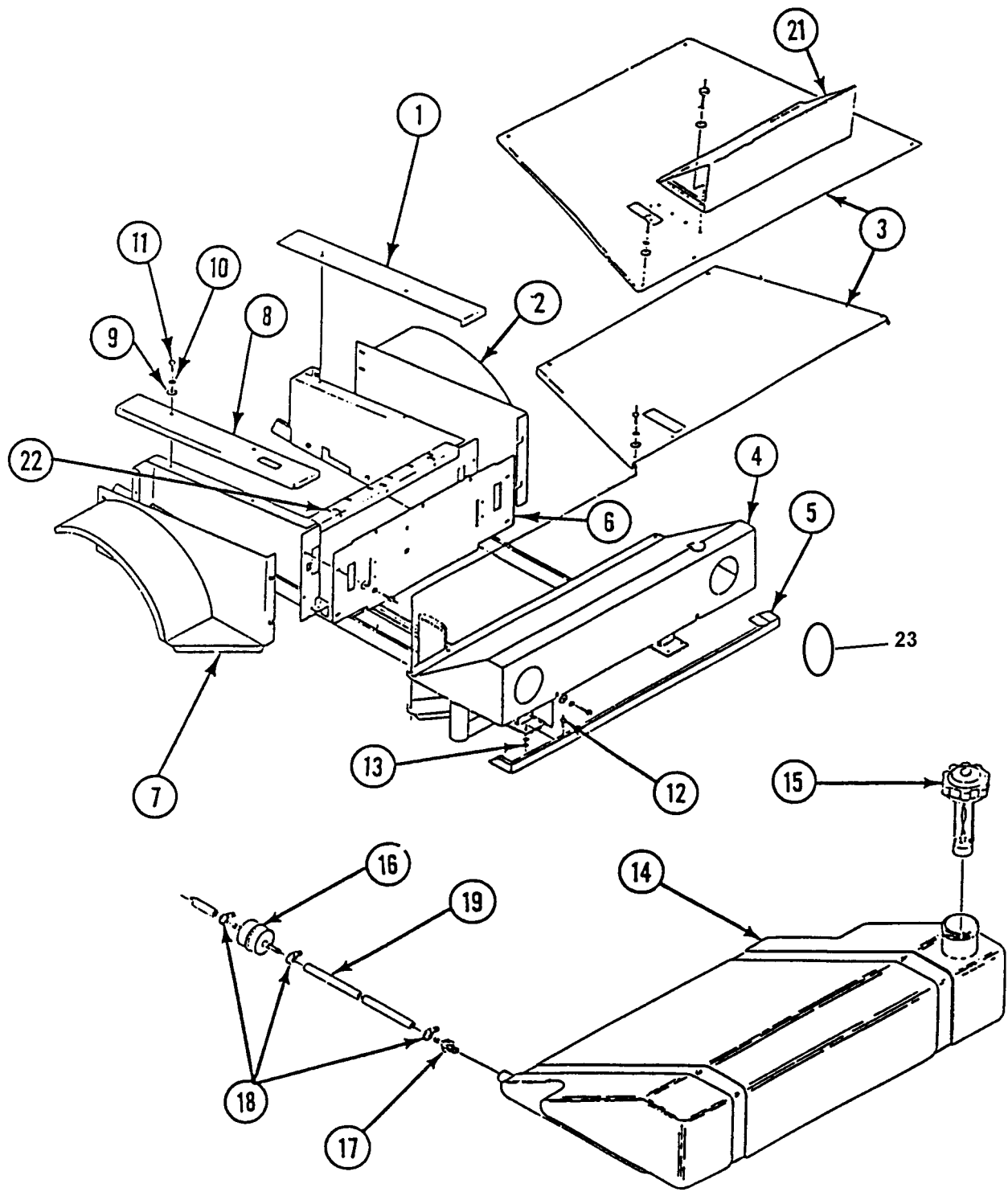
FOUR FRAME VERSIONS ARE CURRENTLY IN USE. THE OVERALL LENGTH (STANDARD VS LONG FRAME) AND THE CONFIGURATION OF THE REAR FRAME CROSS MEMBER IDENTIFY THE FRAME MODEL IN USE. IF NO DIFFERENCE IS NOTED IN THIS MANUAL, PARTS ARE COMMON AND INTERCHANGEABLE.



## BODY COVER PARTS

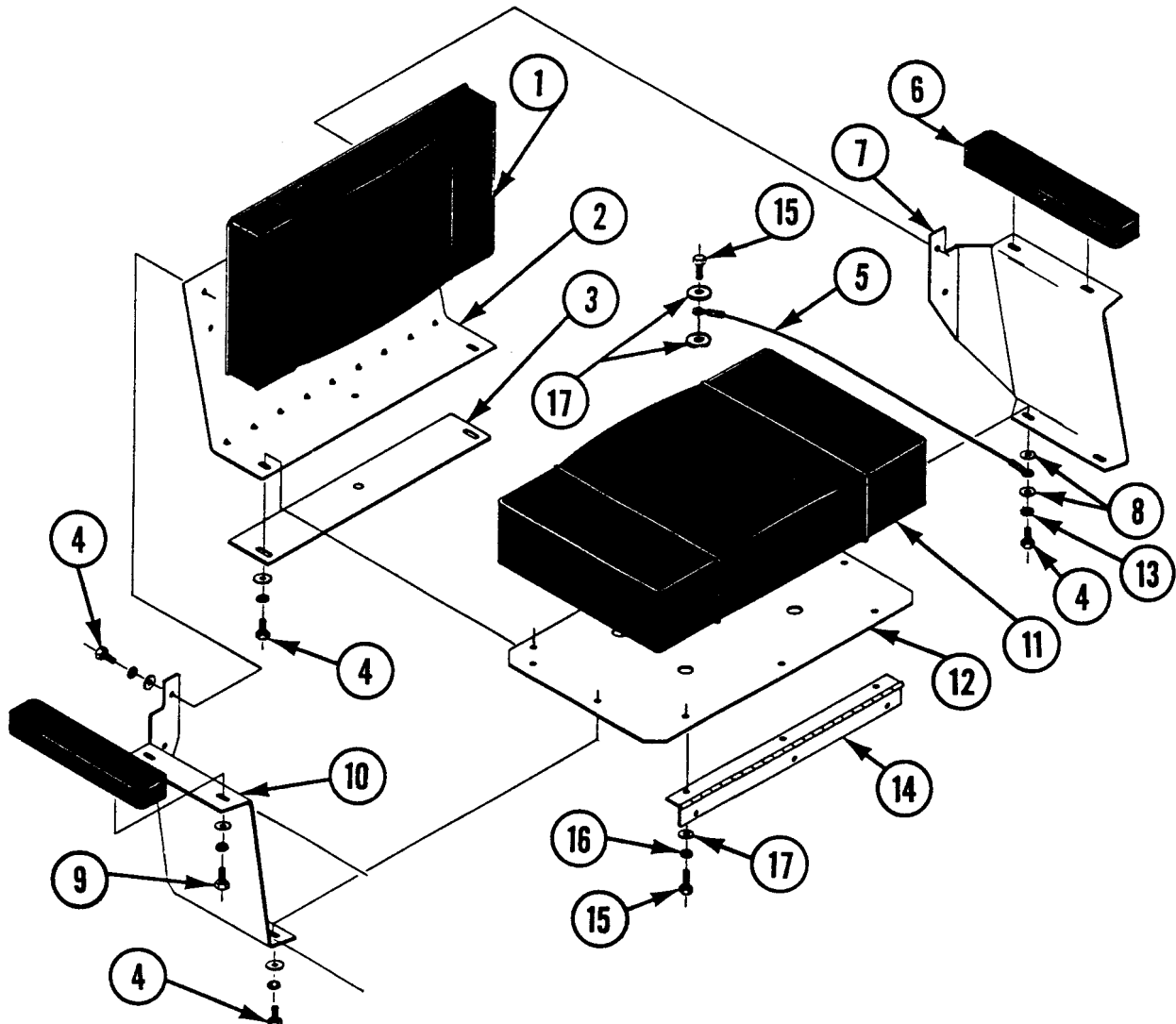
ITEM	DESCRIPTION	PART NO.	QTY.
1	FENDER CAP ASSEMBLY, LEFT	79124	1
	FENDER CAP ASSEMBLY, LEFT JOYSTICK	79567	1
2	FENDER ASSEMBLY, LEFT Z120T MODEL	79155	1
	Z140T MODEL	79146	1
	Z160T MODEL	79148	1
	Z180T MODEL	79361	1
	Z1401K MODEL	79631	1
	Z1801K MODEL	79635	1
	Z1800T MODEL	79121	1
	Z2010T MODEL	79428	1
	Z2001K MODEL	79633	1
	Z2010K MODEL	79630	1
	Z1251BVJ MODEL	79487	1
	Z1251BV MODEL	79488	1
3	DRIVER FOOT MOUNTING PLATE ASSEMBLY (STANDARD "S" OR "SK" FRAMES)	79067	1
	DRIVER FOOT MOUNTING PLATE ASSEMBLY (LONG "LB" OR "LK" FRAMES)	79116	1
4	FOOT REST (STANDARD "S" OR "SK" FRAMES)	79066	1
	FOOT REST (LONG "LB" OR "LK" FRAMES)	79117	1
5	BUMPER	79091	1
6	INSTRUMENT PANEL ASSEMBLY	79115	1
	INSTRUMENT PANEL ASSEMBLY JOYSTICK	79484	1
7	FENDER ASSEMBLY, RIGHT Z120T MODEL	79156	1
	Z140T MODEL	79147	1
	Z160T MODEL	79149	1
	Z180T MODEL	79362	1
	Z1401K MODEL	79632	1
	Z1801K MODEL	79636	1
	Z1800T MODEL	79123	1
	Z2001K MODEL	79634	1
	Z2010K MODEL	79629	1
	Z2010T MODEL	79429	1
	Z1251BVJ MODEL	79485	1
	Z1251BV MODEL	79486	1
8	FENDER CAP ASSEMBLY, RIGHT	79123	1
	FENDER CAP ASSEMBLY, RIGHT JOYSTICK	79566	1
9	WASHER, 5/16 FLAT STD. (STANDARD "S" OR "SK" FRAMES)	79263	--
	(LONG "LB" OR "LK" FRAMES)	-----	19
	(LONG "LB" OR "LK" FRAMES)	-----	27
10	LOCKWASHER, 5/16 HEAVY, SPLIT SPRING (STANDARD "S" OR "SK" FRAMES)	79267	--
	(LONG "LB" OR "LK" FRAMES)	-----	23
	(LONG "LB" OR "LK" FRAMES)	-----	27
11	CAPSCREW, HEX, 5/16-18 X 3/4 GR. 5 (STANDARD "S" OR "SK" FRAMES)	79315	--
	(LONG "LB" OR "LK" FRAMES)	-----	19
	(LONG "LB" OR "LK" FRAMES)	-----	23
12	CAPSCREW, HEX, 5/16-18 X 1 GR. 5	90636	4

13	LOCKNUT, HEX, 5/16-18, W/NYLOC	90717	4
14	GAS TANK (FRONT MOUNT MODELS)	79223	1
15	GAS CAP WITH GAUGE	79224	1
16	IN-LINE FUEL FILTER	79229	1
17	FITTING, HOSE 1/8 NPT BRASS	79568	1
18	CLAMP, 1/4 HH SCREW, 1/4 MIN.	79569	3
19	FUEL LINE	79218	--
21	AUXILIARY FOOT REST (FOR LONG "LB" OR "LK" FRAMES)	79135	1
22	SEAT MOUNT BRKT.	79501	1
23	LIGHT MOUNT RING	79196	2



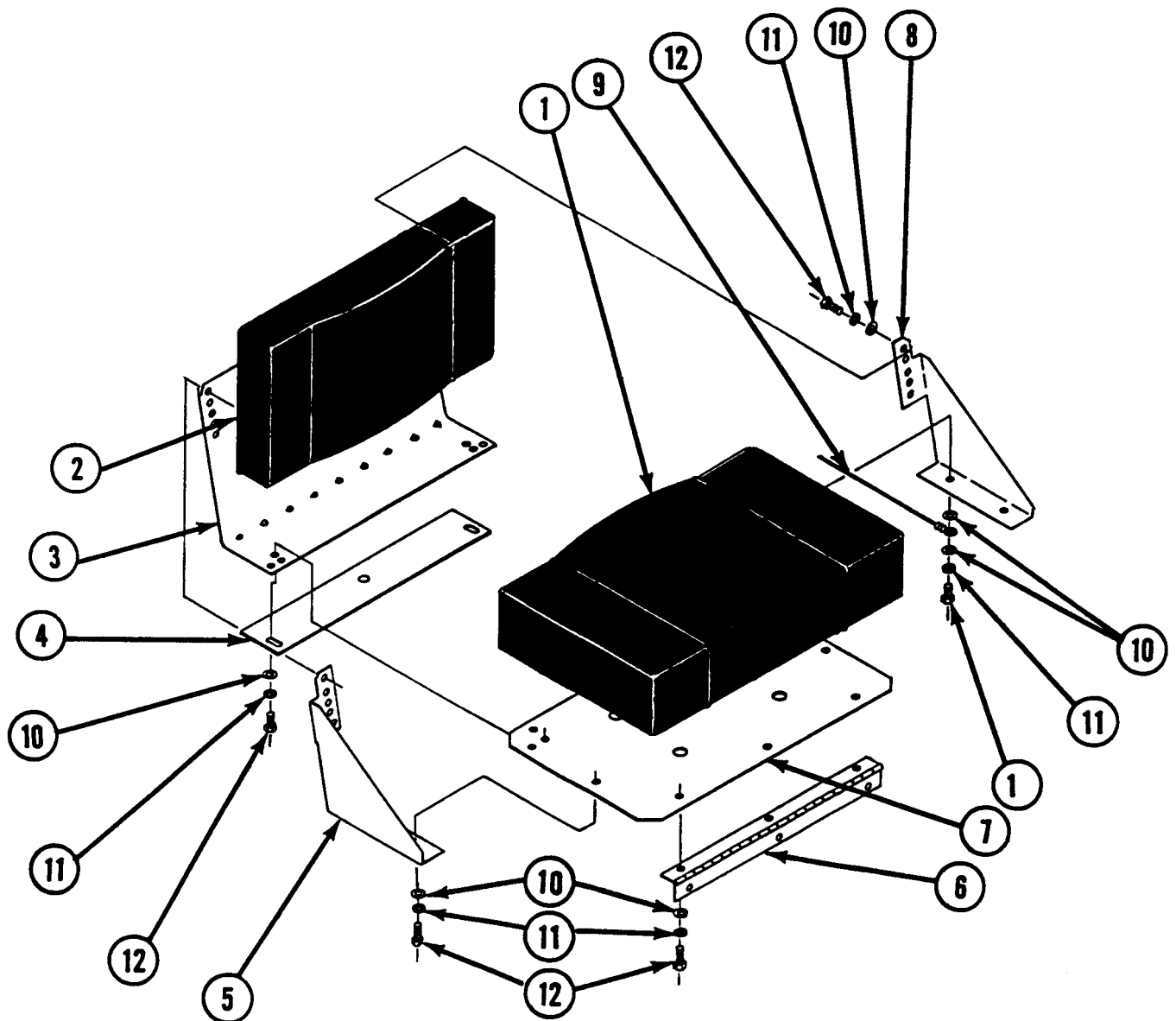
# DELUXE SEAT ASSEMBLY

ITEM	DESCRIPTION	PART NO.	QTY.
--	DELUXE SEAT ASSEMBLY	79097	1
1	BACK CUSHION ASSEMBLY	79002	1
2	BACK REST SUPPORT	79008	1
3	ACTUATOR WELDMENT, SEAT SWITCH	79109	1
4	CAPSCREW, HEX, 5/16-18 X 1, GRADE 5	90636	8
5	CABLE ASSEMBLY, SEAT	79089	1
6	ARM CUSHION ASSEMBLY	79004	2
7	ARM SUPPORT LEFT	79006	1
8	WASHER, 5/16 STD, FLAT	79263	13
9	CAPSCREW, HEX, 5/16-18 X 3/4, GRADE 5	79315	4
10	ARM SUPPORT RIGHT	79007	1
11	SEAT CUSHION ASSEMBLY	79003	1
12	BOTTOM, SEAT SUPPORT	79009	1
13	LOCKWASHER, 5/16 HEAVY, SPLIT SPRING	79267	12
--	WIRING DECAL (NOT SHOWN)	79138	1
14	SEAT HINGE	79010	1
15	CAPSCREW, HEX, 5/16-18 X 1, GRADE 5	90636	7
16	LOCKWASHER, 5/16 STD, SPLIT SPRING	79267	7
17	WASHER, 5/16 STD, FLAT	79263	8



# JOYSTICK DELUXE SEAT ASSEMBLY

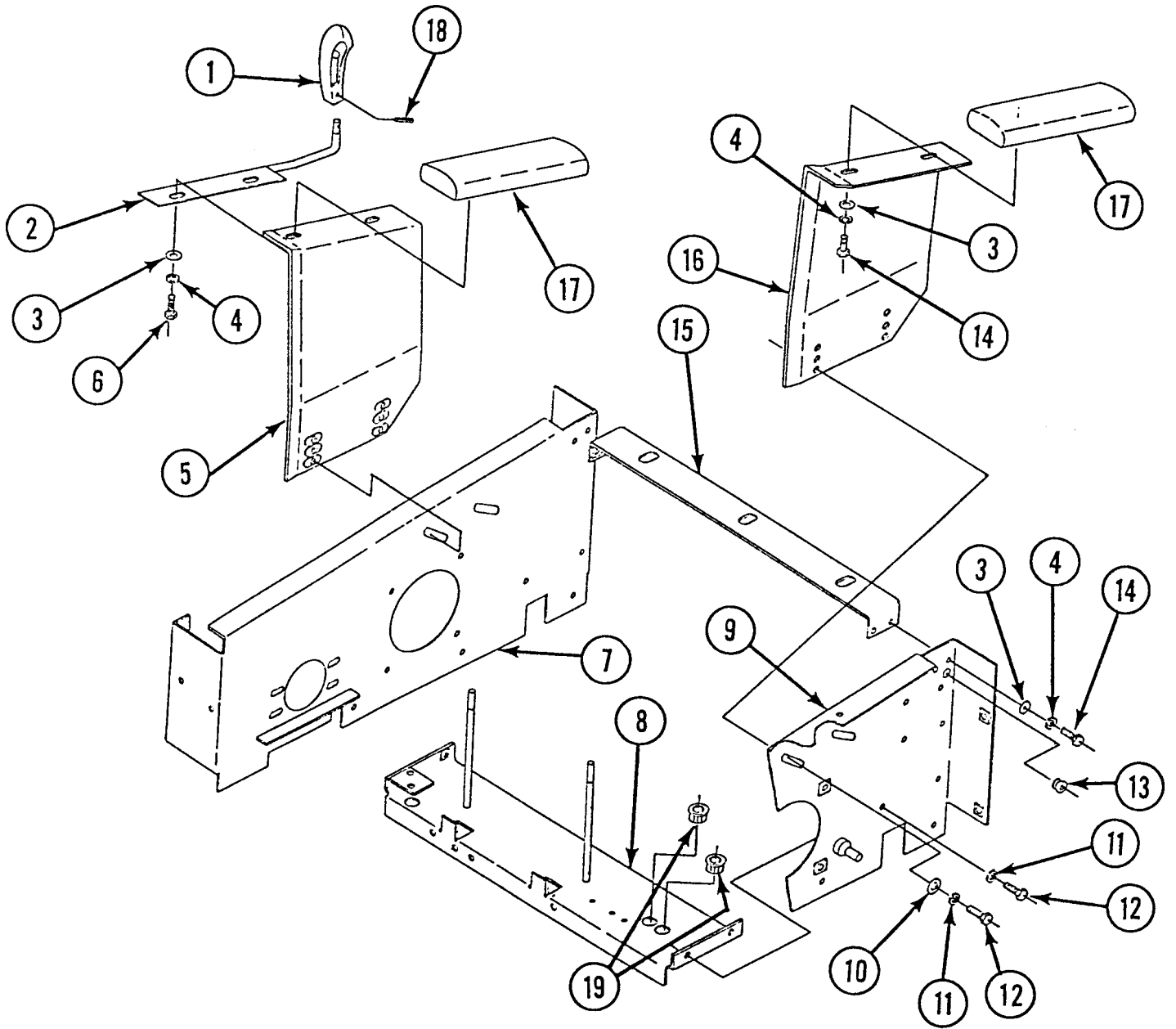
ITEM	DESCRIPTION	PART NO.	QTY.
--	DELUXE SEAT ASSEMBLY	79570	1
1	SEAT CUSHION ASSEMBLY	79003	1
2	BACK CUSHION ASSEMBLY	79002	1
3	BACK REST SUPPORT	79489	1
4	ACTUATOR WLDT.	79490	1
5	SEAT BACK BRACKET, RIGHT	79491	1
6	SEAT HINGE	79010	1
7	BOTTOM, SEAT SUPPORT	79493	1
8	SEAT BACK BRACKET, LEFT	79492	1
9	CABLE ASSEMBLY, SEAT	79089	1
10	WASHER, 5/16 STD. FLAT	90188	14
11	LOCKWASHER, 5/16 STD. SPLIT SPRING	79267	13
12	CAPSCREW, HEX. 5/16-18 X 1, GR. 5	90636	13





# ADJUSTABLE ARM REST ASSEMBLY, JOYSTICK

ITEM	DESCRIPTION	PART NO.	QTY.
1	HANDLE	23656	1
2	SECURITY HANDLE WLDT.	79495	1
3	WASHER, 5/16 STD. FLAT	79263	8
4	LOCKWASHER, 5/16 SPLIT SPRING	79267	8
5	AJUSTABLE ARM REST, LEFT	79496	1
6	CAPSCREW, HEX. 5/16-18 X 1	90636	2
7	SIDE PLATE WLDT. LEFT	79498	1
8	BATTERY MOUNT WLDT.	79549	1
9	SIDE PLATE WLDT. RIGHT	79499	1
10	WASHER, 3/8 STD. FLAT	90600	4
11	LOCKWASHER, 3/8 SPLIT SPRING	79268	8
12	CAPSCREW, 3/8-16 X 3/4 GR. 5	79266	8
13	GROMMET	79500	1
14	CAPSCREW, 5/16-18 X 3/4	79315	6
15	SEAT MOUNT BRKT.	79501	1
16	ADJUSTABLE ARM REST, RIGHT	79497	1
17	ARM REST PAD ASSEMBLY	79004	2
18	ROLL PIN, 3/16 X 1	79294	1
19	BUSHING, PLASTIC, WIRE PROTECTOR	79191	2

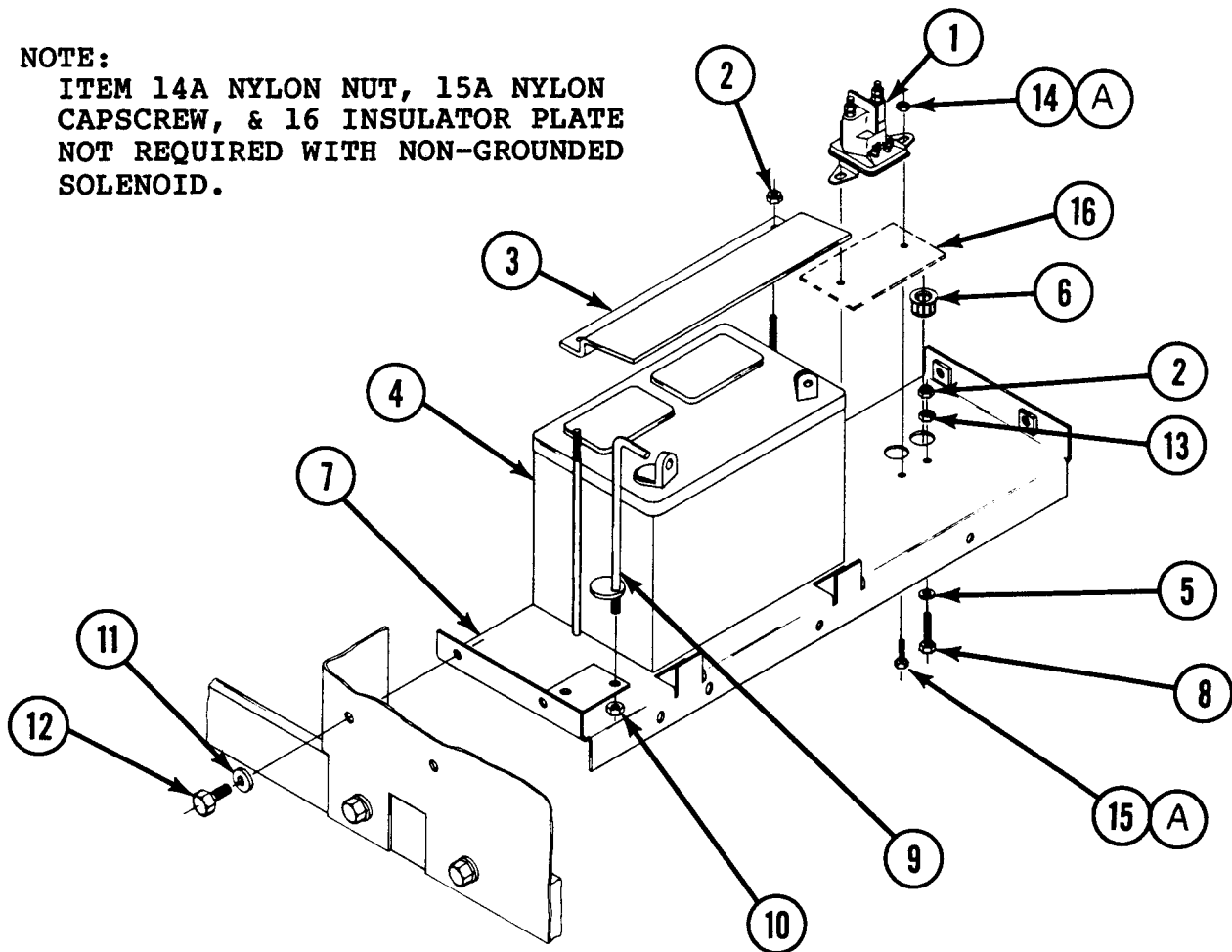


# BATTERY MOUNT PARTS

ITEM	DESCRIPTION	PART NO.	QTY.
1	SOLENOID, STARTER, 12 V, NON-GROUNDED *	79193	1
2	LOCKNUT, HEX, 1/4-20 W/NYLOC	79260	3
3	BATTERY HOLD DOWN PROTECTOR	79079	1
4	BATTERY, 12 VOLT, BCI GROUP VI	79482	1
5	LOCKWASHER, 1/4 STD, SPLIT SPRING	90052	1
6	BUSHING, PLASTIC, WIRE PROTECTOR	79191	2
7	BATTERY MOUNT WELDMENT	79078	1
	BATTERY MOUNT WELDMENT, JOYSTICK	79549	1
8	CAPSCREW, HEX, 1/4-20 X 1, GRADE 5	79265	1
9	DUMP-VALVE HANDLE WELDMENT	79013	1
10	LOCKNUT, HEX, 5/16-18 W/NYLOC	90717	1
11	LOCKWASHER, 3/8 HEAVY, SPLIT SPRING	79268	4
12	CAPSCREW, 3/8-16 X 1, GRADE 5	90563	4
13	NUT, HEX, 1/4-20	79343	1
14	NUT, HEX, 1/4-20	79343	2
15	CAPSCREW, HEX, 1/4-20 X 3/4 GRADE 5	90073	2
14A	NUT, NYLON HEX, 1/4-20	79280	2
15A	CAPSCREW, HEX, NYLON, 1/4-20 X 3/4	79279	2
16	INSULATOR PLATE, PLASTIC	79110	1

**NOTE:**

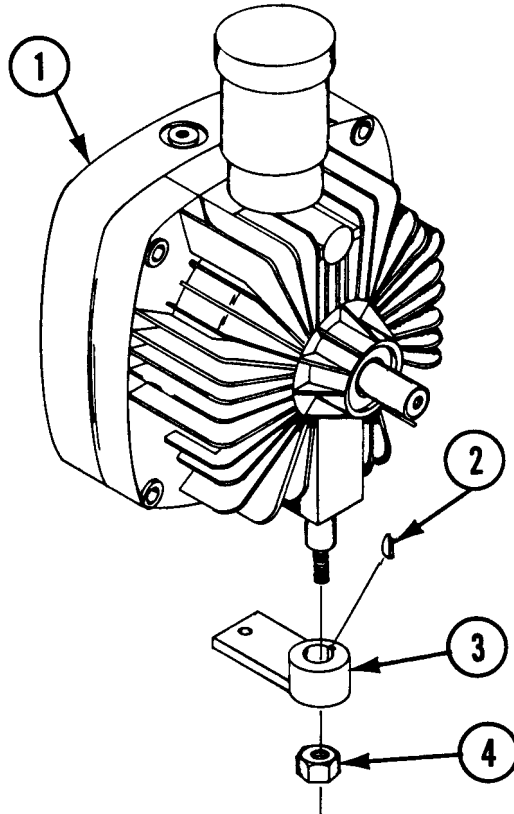
ITEM 14A NYLON NUT, 15A NYLON CAPSCREW, & 16 INSULATOR PLATE NOT REQUIRED WITH NON-GROUNDED SOLENOID.



\* TO REPLACE EARLIER MODEL INTERNALLY GROUNDED SOLENOID, CONNECT YELLOW WIRE FROM NEUTRAL SWITCH TO ONE OF THE SOLENOID COIL POSTS AND THE ELECTRIC CLUTCH SWITCH WIRE TO THE OTHER COIL POST.

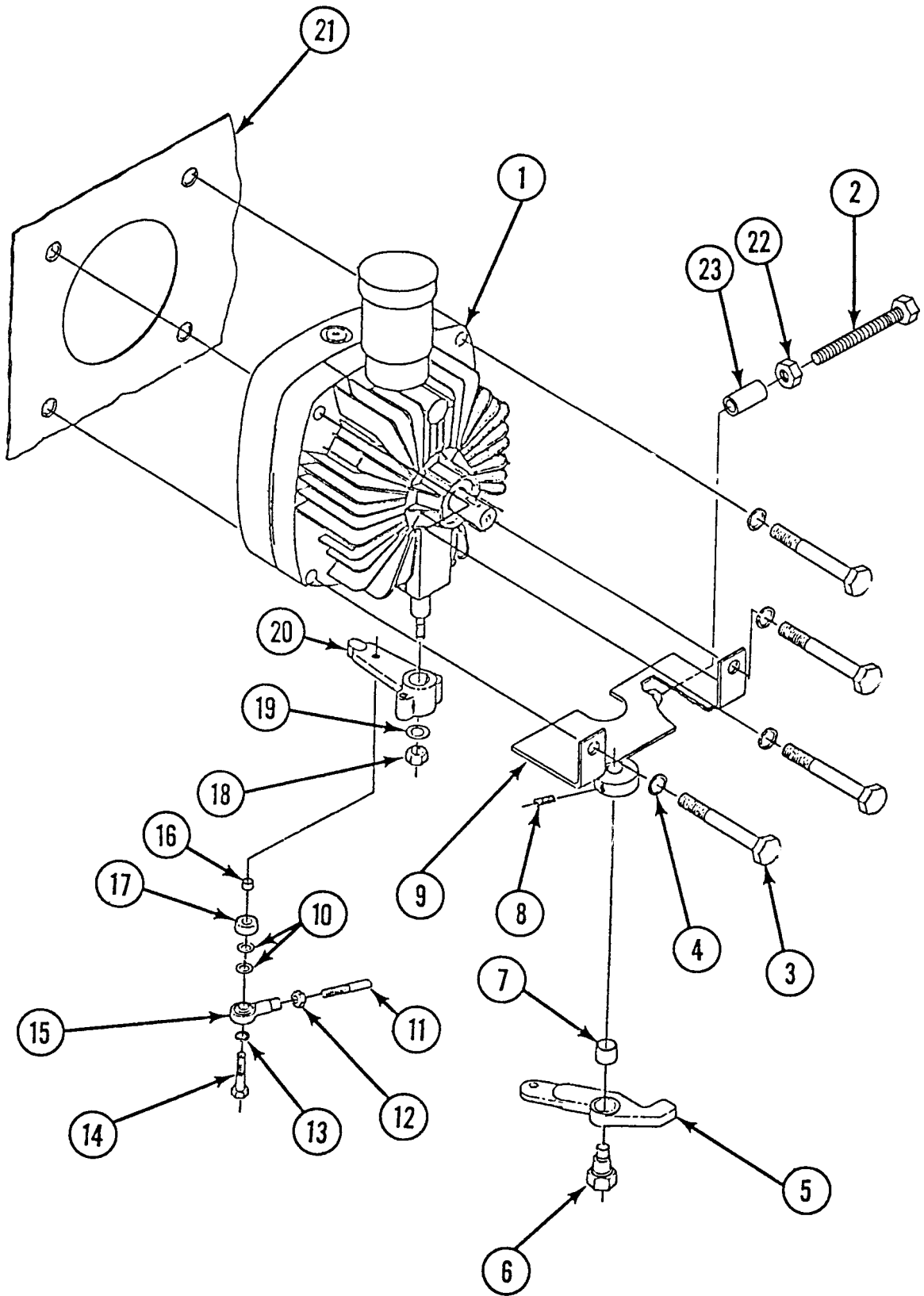
# HYDROSTAT PARTS

ITEM	DESCRIPTION	PART NO.	QTY
1	EATON HYDRO #700-011 (RIGHT SIDE) #700-003 (LEFT SIDE)	79177 79176	1 1
2	WOODRUFF KEY, 1/8 X 1/2	79163	1
3	HYDRO SWIVEL MOUNT WELDMENT	79059	1
4	LOCKNUT, HEX, 3/8-16 W/NYLOC	79273	1



# JOYSTICK HYDROSTAT PARTS

ITEM	DESCRIPTION	PART NO.	QTY.
1	HYDRO, LEFT	79176	1
	HYDRO, RIGHT	79177	1
2	CAPSCREW, 5/16-16 X 3 FULL THRD. GR.2	79584	1
3	CAPSCREW, 3/8-16 X 3 GR. 5	79504	4
4	LOCKWASHER, 3/8 SPLIT SPRING	79268	4
5	CAM BAR	79505	1
6	CENTERING CAM	79506	1
7	BUSHING, BRONZE	79507	1
8	SCREW, HX. SCKT 1/2 DOG SET	79571	1
9	CENTERING CAM BRKT. WLDT. LEFT	79509	1
	RIGHT	79508	1
10	WASHER, 6.4 MM I.D. (ZINC PLATED)	79586	2
11	PUSH-PULL CABLE, LEFT	79510	1
	RIGHT	79511	1
12	NUT, 1/4-28 (COMES WITH #11)	90095	2
13	LOCKWASHER, 1/4 SPLIT SPRING	90052	1
14	CAPSCREW, 1/4-20 X 1-1/2 GR.5	79588	1
15	BALL JOINT, FEMALE 1/4-28	79513	1
16	BUSHING BALL JOINT	79514	1
17	BEARING, CAM	79515	1
18	NUT, 3/8-16	79273	1
19	WASHER, 3/8 STD. FLAT	90600	1
20	CONTROL ARM	79516	1
21	SIDE PLATE WLDT. LEFT	79498	1
	RIGHT	79499	1
22	NUT, 5/16-18 PLAIN	79583	1
23	SPACER, STOP	79591	1

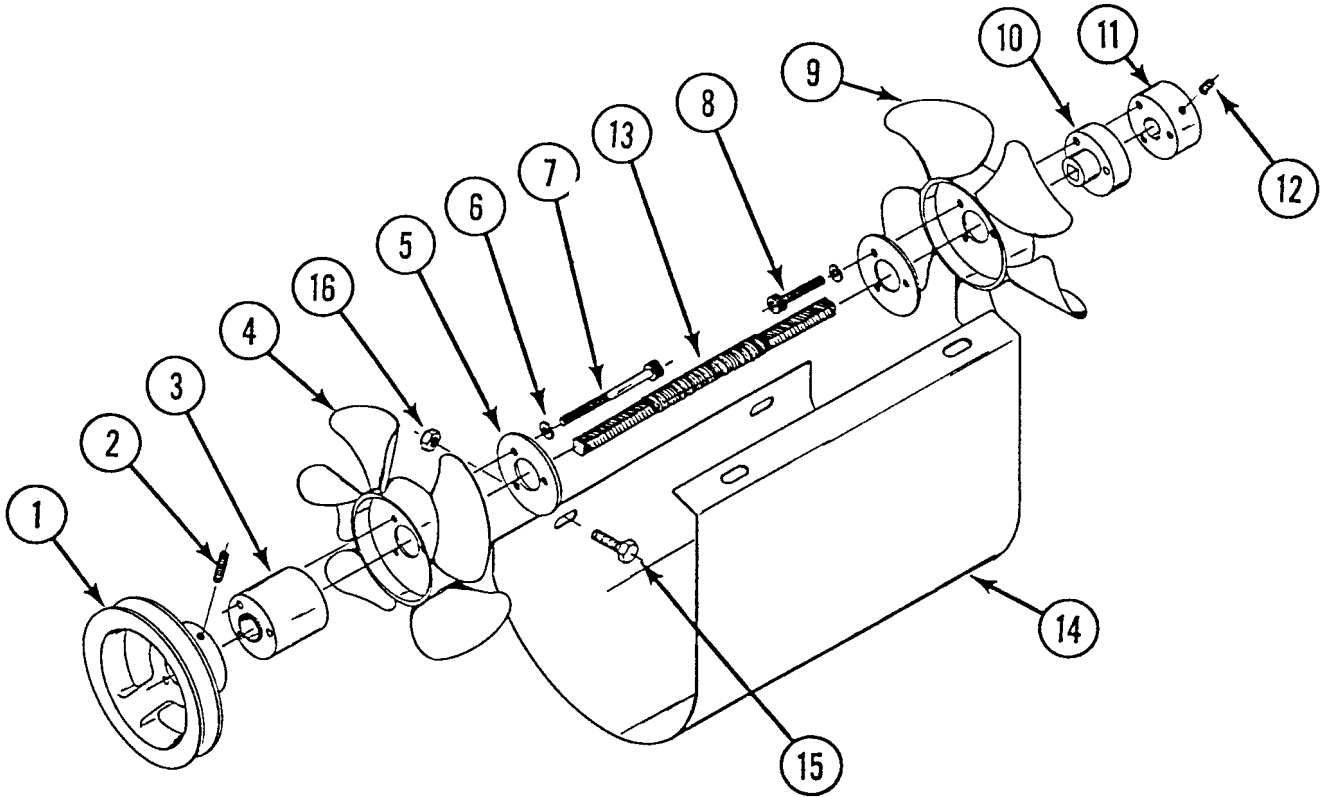


# HYDROSTAT CROSS-SHAFT PARTS

## 5/8" FLEX SHAFT

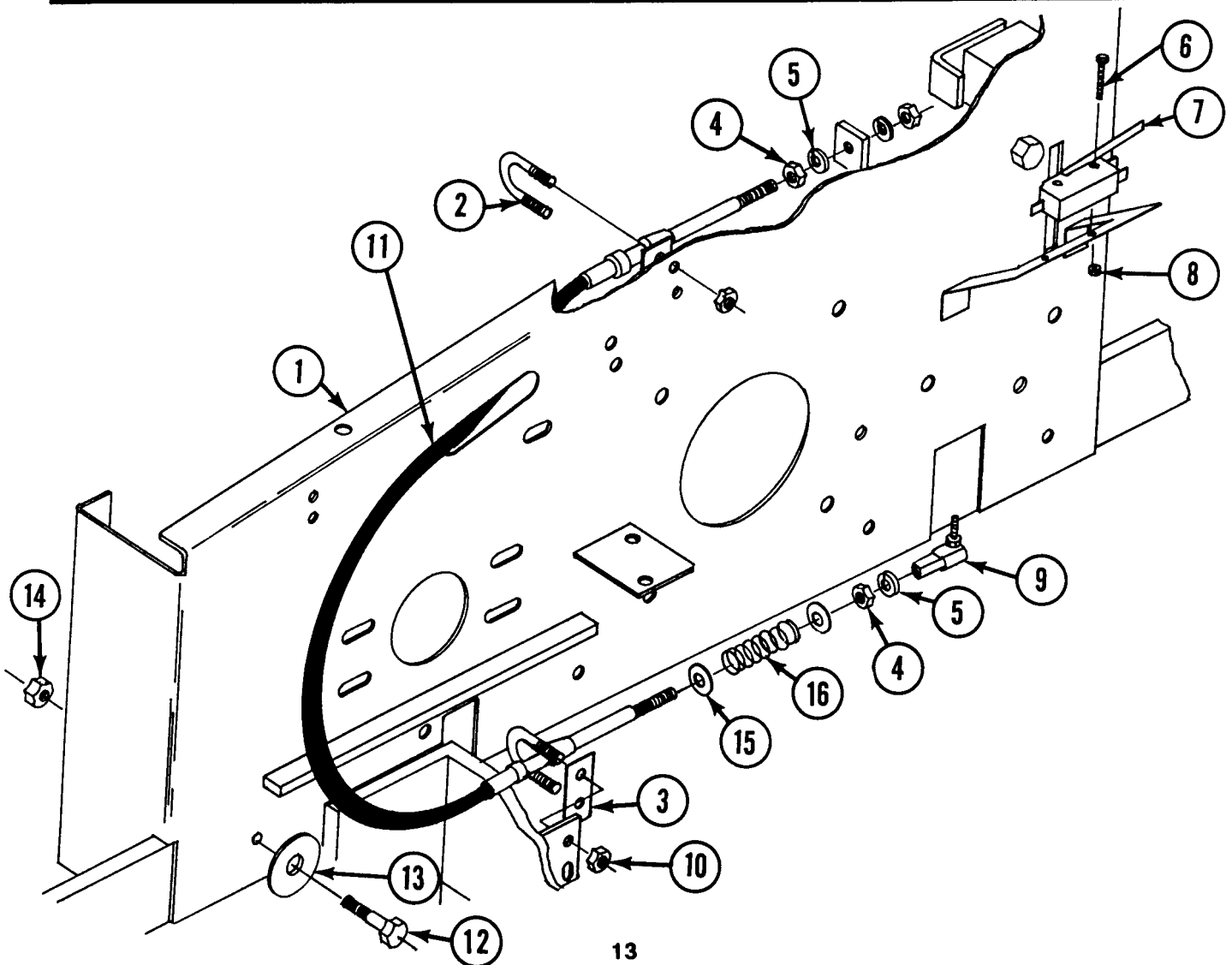
ITEM	DESCRIPTION	PART NO.	QTY.
1	HYDRO DRIVEN PULLEY, 5"	79062	1
	HYDRO DRIVEN PULLEY, 5-1/16 JOYSTICK	79517	1
2	SKHD SETSCREW, 1/4-20 X 3/4 W/NYLOC	79302	3
3	CONNECTOR, LEFT	79378	1
4	FAN BLADE, 8" CCW -- 3 HOLES	79228	1
5	WASHER, SPECIAL FOR FAN BLADE	79113	2
6	LOCKWASHER, 1/4 STD, SPLIT SPRING	90052	6
7	CAPSCREW, SOCKETHEAD, 1/4-20 X 2-3/4	79292	3
8	CAPSCREW, SOCKETHEAD, 1/4-20 X 1-1/4	79272	3
9	FAN BLADE, 8" CW -- 3 HOLES	79227	1
10	RIGHT CONNECTOR-COUPLING SHAFT	79379	1
11	RIGHT CONNECTOR COUPLING HYDRO	79082	1
12	SETSCREW, 1/4-20 X 5/16 SOCKET HEAD	79372	1
13	COUPLING SHAFT, 5/8" FLEXIBLE	79374	1
14	AIR DEFLECTOR SHROUD	79102	1
	AIR DEFLECTOR SHROUD, JOYSTICK	79518	1
15	CAPSCREW, 5/16-18 X 1 HEXHEAD GRADE 5	90636	4
16	LOCKNUT, 5/16-18 HEX W/NYLOCK	90717	4

NOTE: TO REPLACE 1/2" COUPLING SHAFT WITH 5/8" COUPLING SHAFT USE  
PARTS 3, 10, AND 13.



# SIDE PLATE MISCELLANEOUS PARTS

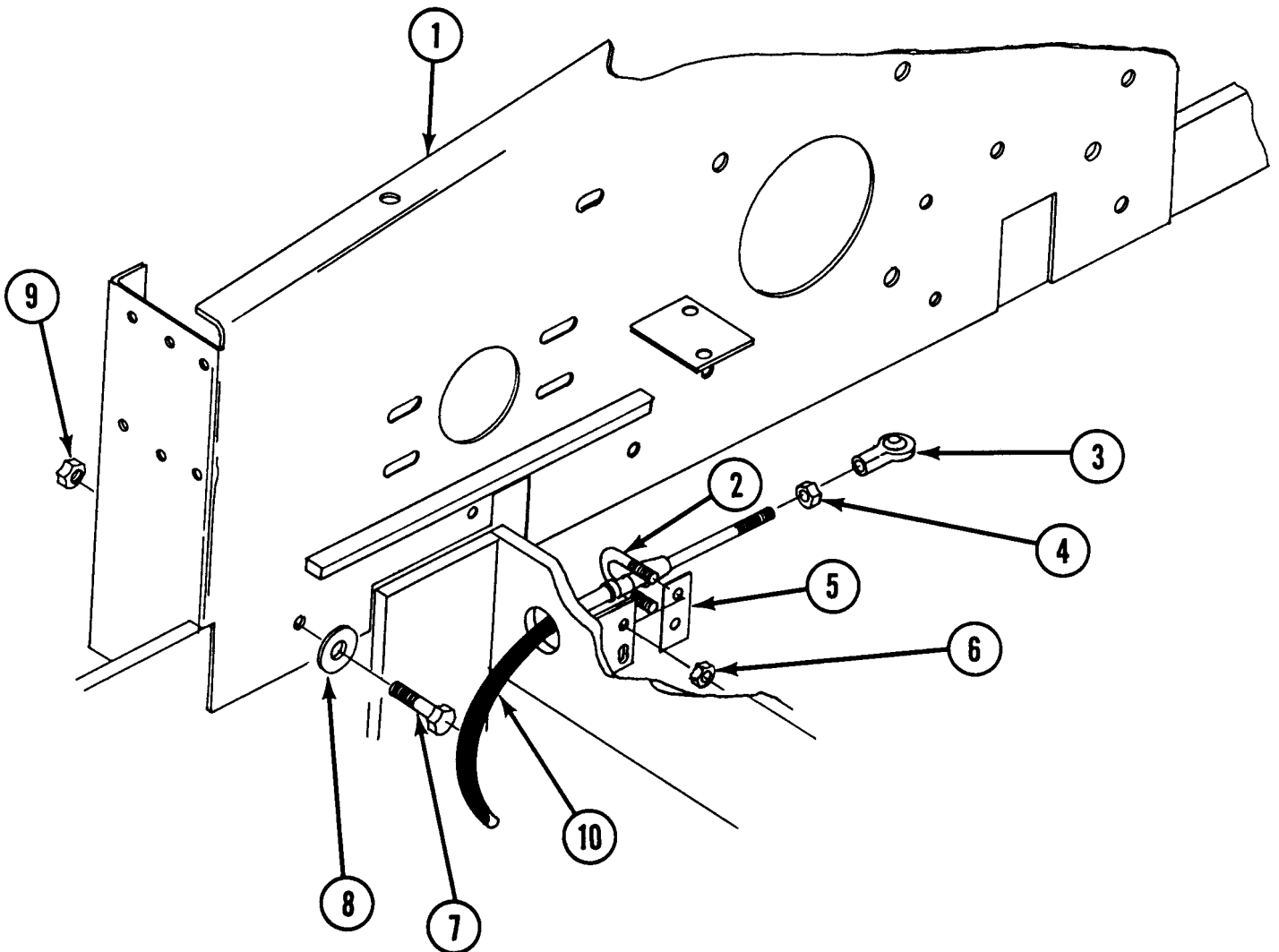
ITEM	DESCRIPTION	PART NO.	QTY.
1	SIDE PLATE WELDMENT LEFT ("S" FRAME) ("LB" & "LK" FRAME)	79058 79118	1 1
	SIDE PLATE WELDMENT RIGHT ("S" FRAME) ("LB" & "LK" FRAME)	79057 79119	1 1
	(LEFT SIDE IS SHOWN)		
2	U-BOLT, 5/16-18 X 1-3/16	79301	2
3	U-BOLT SPACER	79104	2
4	NUT, HEX, 1/4-28 (COMES WITH #11)	90095	3
5	LOCKWASHER, 1/4 STD, SPLIT SPRING	90052	3
6	SCREW, ROUND HEAD SLOTTED, 6-32 X 1	79281	2
7	SWITCH, SINGLE POLE, 15A	79194	1
8	LOCKNUT, HEX, 6-32, W/NYLOC	79310	2
9	BALL JOINT, 1/4-28	79307	1
10	LOCKNUT, HEX, 5/16 THIN HEIGHT, W/NYLOC	79323	4
11	CABLE, PUSH/PULL, SERIES 40, 34" OAL	79220	1
12	CAPSCREW, HEX, 3/8-24 X 1-1/4, GRADE 5	79422	5
13	WASHER, .406 ID, 1.240 OD, .168 THK	79108	5
14	LOCKNUT, 3/8-24	79327	5
15	WASHER, 6.4 MM I.D. (ZINC PLATED)	79586	2
16	COMPRESSION SPRING, .366 O.D. X 2.4 LG.	79590	1





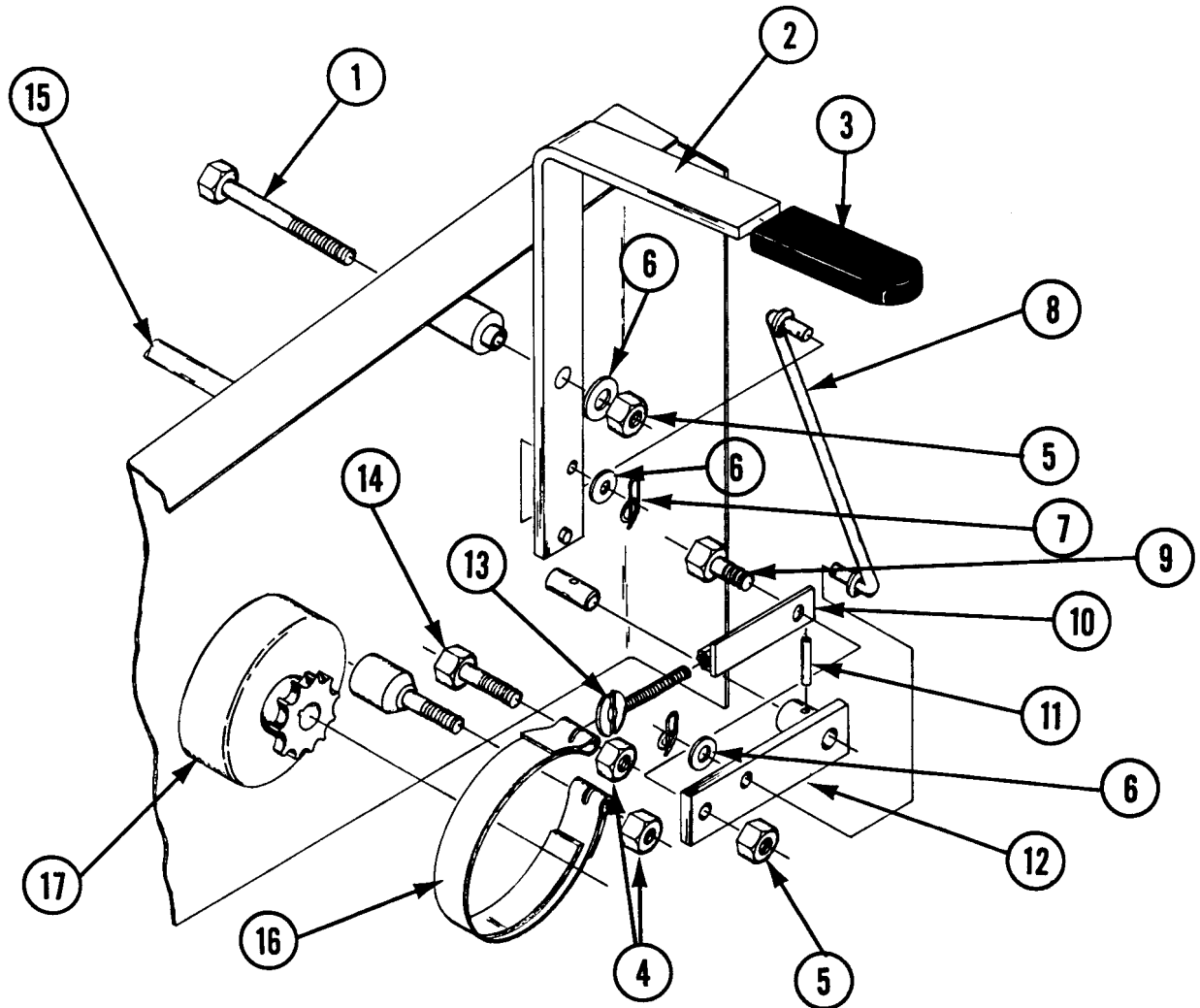
# JOYSTICK SIDE PLATE

ITEM	DESCRIPTION	PART NO.	QTY.
1	SIDE PLATE WLDT. LEFT (SHOWN)	79498	1
	SIDE PLATE WLDT. RIGHT	79499	1
2	U-BOLT, 5/16-18 X 1-3/16	79301	1
3	BALL JOINT, FEMALE 1/4-28	79513	1
4	NUT, HEX 1/4-28 (COMES WITH #10)	90095	1
5	U-BOLT SPACER	79104	1
6	LOCKNUT, HEX, 5/16-18 THIN HEIGHT W/NYLOC	79323	2
7	CAPSCREW, HEX, 3/8-24 X 1-1/4 GR.5	79422	5
8	WASHER, .406 ID X 1.240 OD. .168 THK.	79108	5
9	LOCKNUT, 3/8-24 W/NYLOC	79327	5
10	PUSH-PULL CABLE, SERIES 40 LEFT, 64" OAL	79510	1
	(SHOWN)		
	PUSH-PULL CABLE, SERIES 40 RIGHT, 55" OAL	79511	1



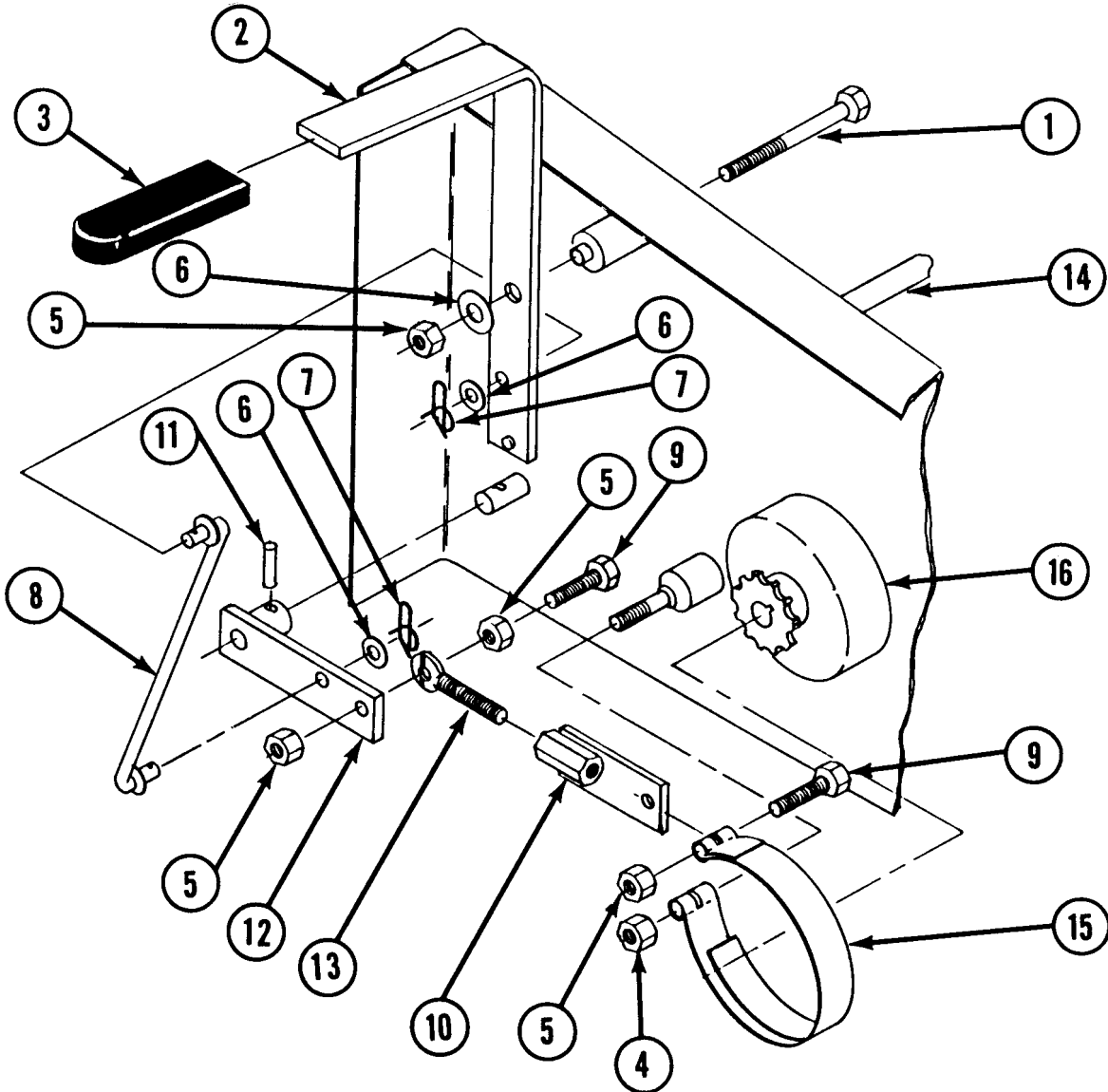
# BRAKE ACTION PARTS

ITEM	DESCRIPTION	PART NO.	QTY.
1	CAPSCREW, HEX, 5/16-18 X 3, GRADE 5	79365	1
2	BRAKE HANDLE WELDMENT	79017	1
3	GRIP, DIPPED VINYL, 1/4 X 1	79213	1
4	LOCKNUT, HEX, 3/8 -16, W/NYLOC	79261	2
5	LOCKNUT, HEX, 5/16-18, W/NYLOC	90717	2
6	WASHER, 5/16 STD, FLAT	79263	3
7	COTTER, RUE RING, 5/16-3/8 PIN	79291	2
8	BRAKE-ROD LINK WELDMENT	79072	1
9	CAPSCREW, HEX, 5/16-18 X 1, GRADE 5	90636	1
10	BRAKE LINK WELDMENT	79073	1
11	PIN, SPIROL, 3/16 X 1, LIGHT DUTY	79294	1
12	BRAKE ARM WELDMENT	79074	1
13	THUMBSCREW SWIVEL	79095	1
14	CAPSCREW, HEX, 3/8-16 X 1-1/2, GRADE 5	90655	1
15	BRAKE CROSS SHAFT	79075	1
16	BRAKE BAND, 4-3/16 DIA, 3/4 WIDE	79178	1
17	SPROCKET/BRAKE DRUM WELDMENT	79179	1



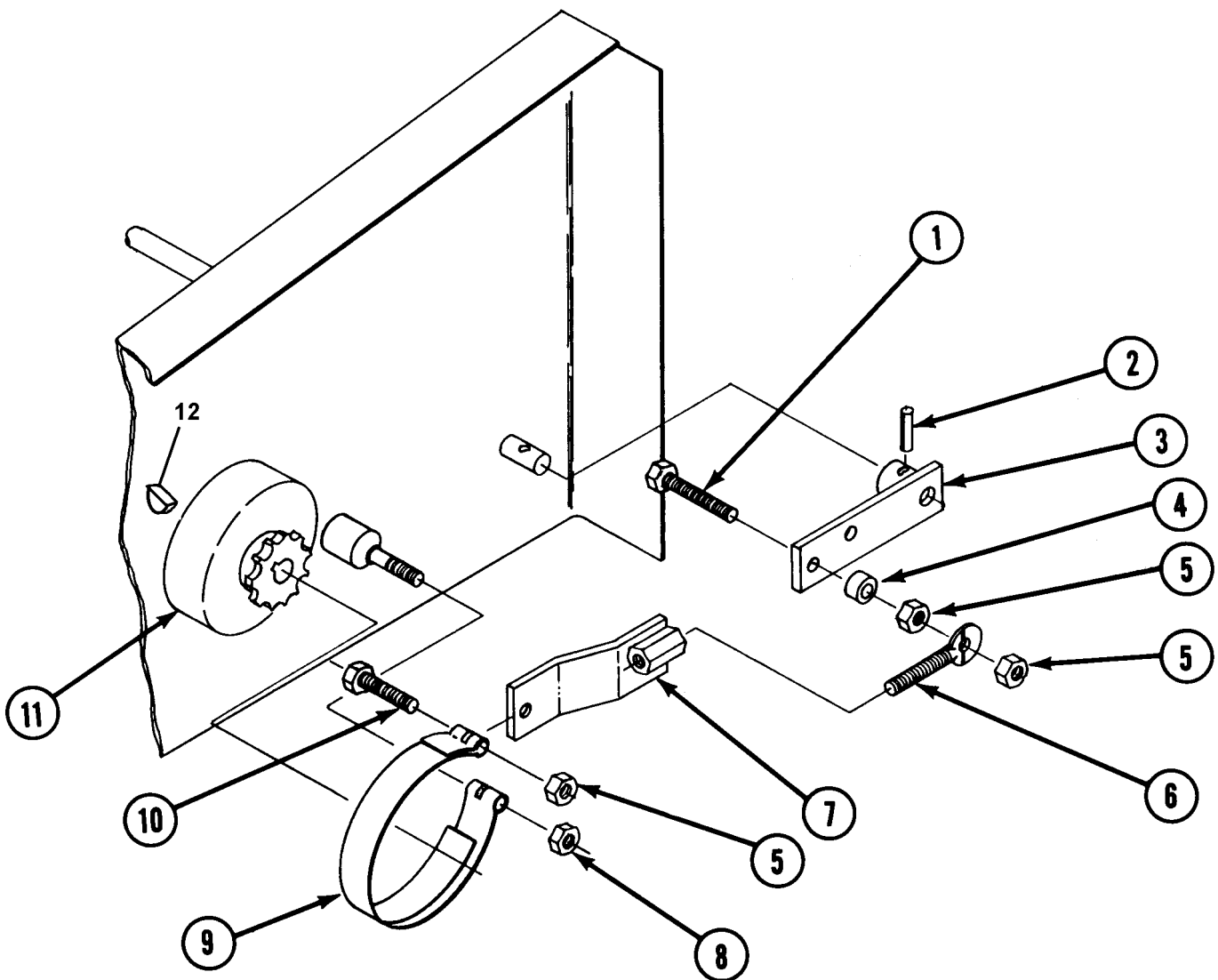
# JOYSTICK BRAKE ACTION PARTS, LEFT SIDE

ITEM	DESCRIPTION	PART NO.	QTY.
1	CAPSCREW, HEX. 5/16-18 X 3 GR.5	79365	1
2	BRAKE HANDLE WLDT.	79017	1
3	GRIP, DIPPED VINYL, 1/4 X 1	79213	1
4	LOCKNUT, HEX, 3/8-16 W/NYLOC	79261	1
5	LOCKNUT, HEX, 5/16-18 W/NYLOC	90717	4
6	WASHER, 5/16 STD. FLAT	79263	3
7	COTTER, RUE RING, 5/16-3/8 PIN	79291	2
8	BRAKE-ROD LINK WLDT.	79072	1
9	CAPSCREW, HEX, 5/16-18 X 1-1/4 GR.5	79519	2
10	BRAKE LINK WLDT.	79073	1
11	PIN, SPIROL, 3/16 X 1, LIGHT DUTY	79294	1
12	BRAKE ARM WLDT.	79074	1
13	THUMB SWIVEL	79095	1
14	BRAKE CROSS SHAFT	79075	1
15	BRAKE BAND, 4-3/16 DIA. 3/4 WIDE	79178	1
16	SPROCKET/BRAKE DRUM WLDT.	79179	1

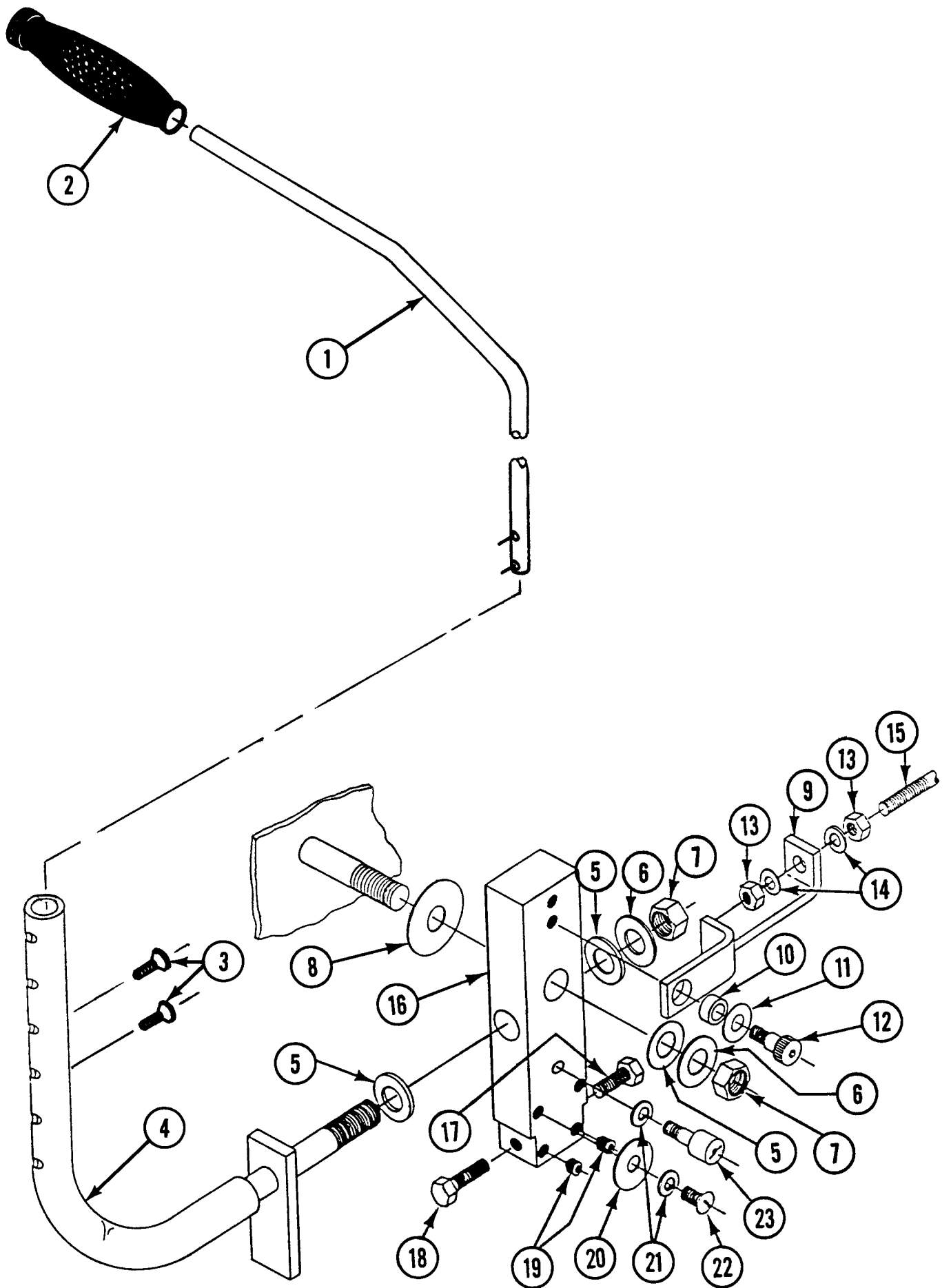


# JOYSTICK BRAKE ACTION PARTS, RIGHT SIDE

ITEM	DESCRIPTION	PART NO.	QTY.
1	CAPSCREW, 5/16-18 X 1-1/2	79415	1
2	PIN, SPIROL, 3/16 X 1, LIGHT DUTY	79294	1
3	BRAKE ARM WELDMENT	79074	1
4	SPACER, BRAKE LINK	79520	1
5	LOCKNUT, HEX 5/16-18, W/NYLOC	90717	3
6	THUMBSCREW SWIVEL	79095	1
7	BRAKE LINK WLDT.	79521	1
8	LOCKNUT, HEX 3/8-16, W/NYLOC	79261	1
9	BRAKE BAND, 4-3/16 DIA. 3/4 WIDE	79178	1
10	CAPSCREW, 5/16-18 X 1-1/4	79519	1
11	SPROCKET/BRAKE DRUM WLDT.	79179	1
12	WOODRUFF KEY 404 1/8X1/2	14264	1

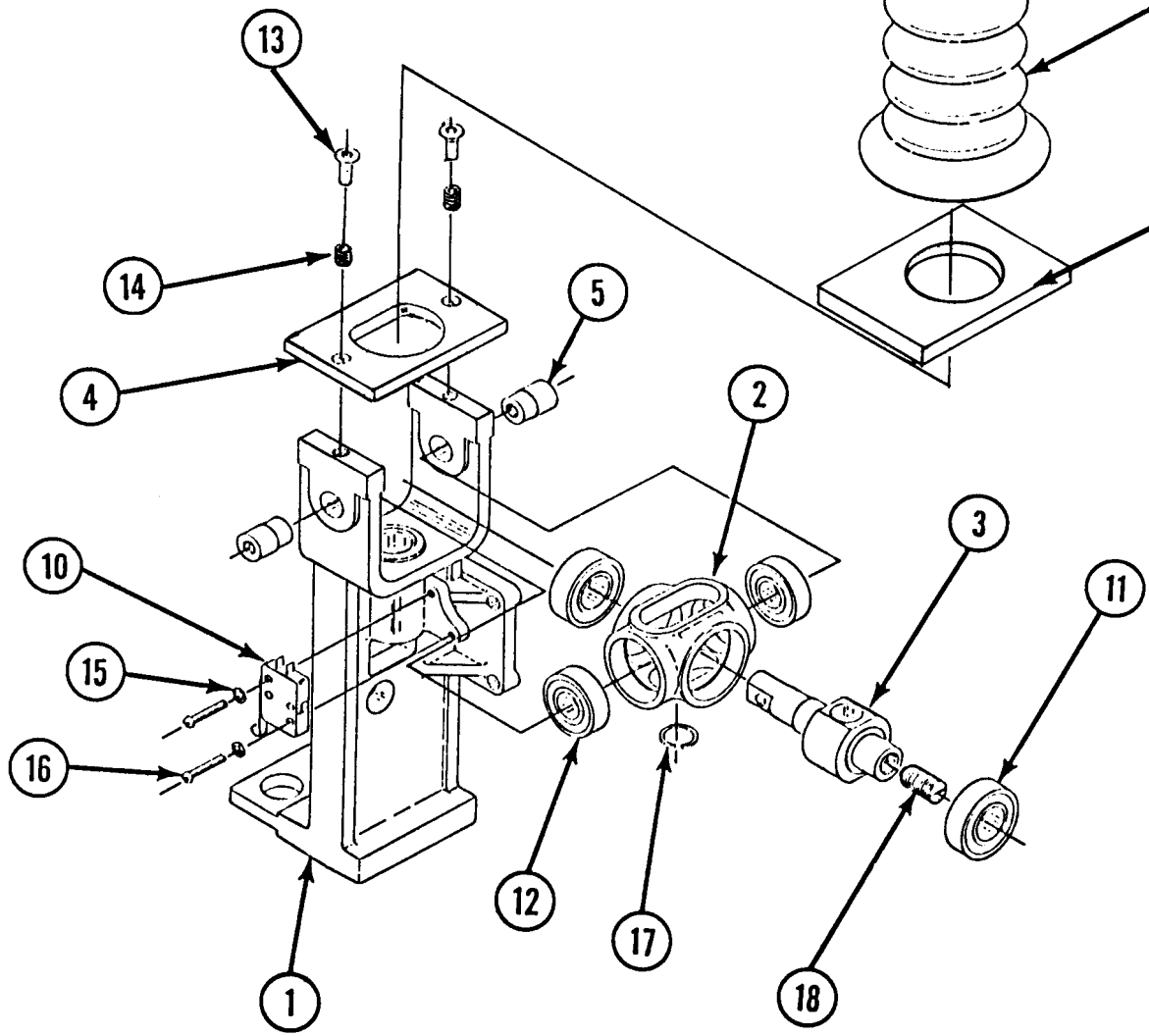
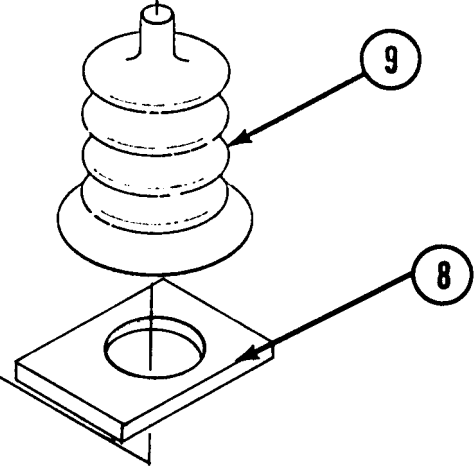
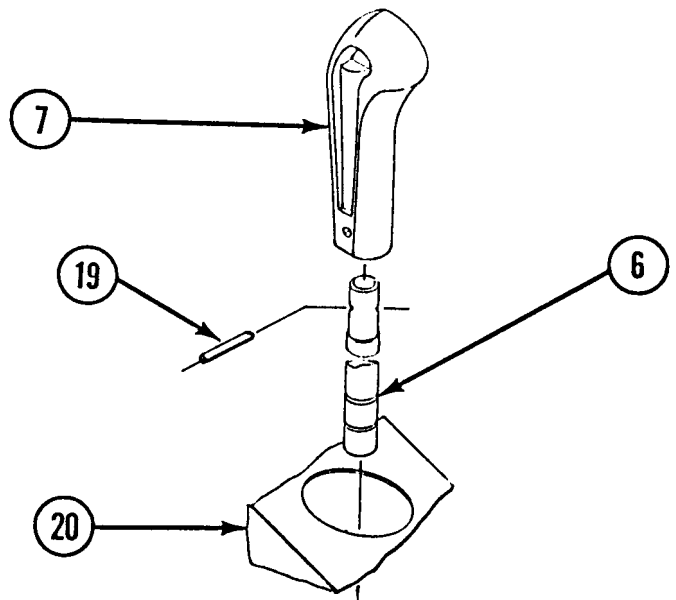
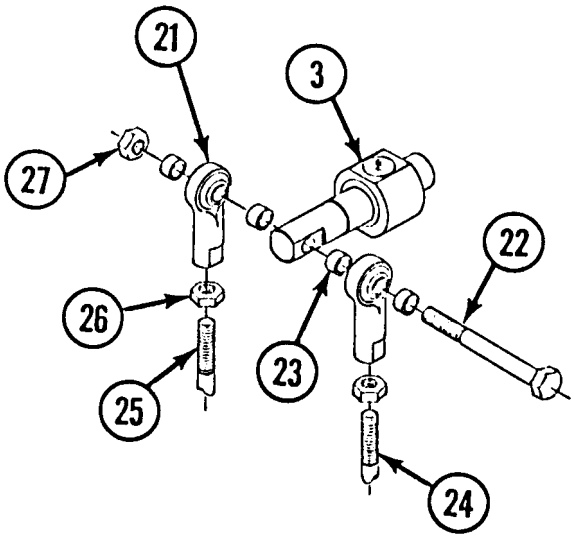






# JOYSTICK STEERING CONTROL PARTS

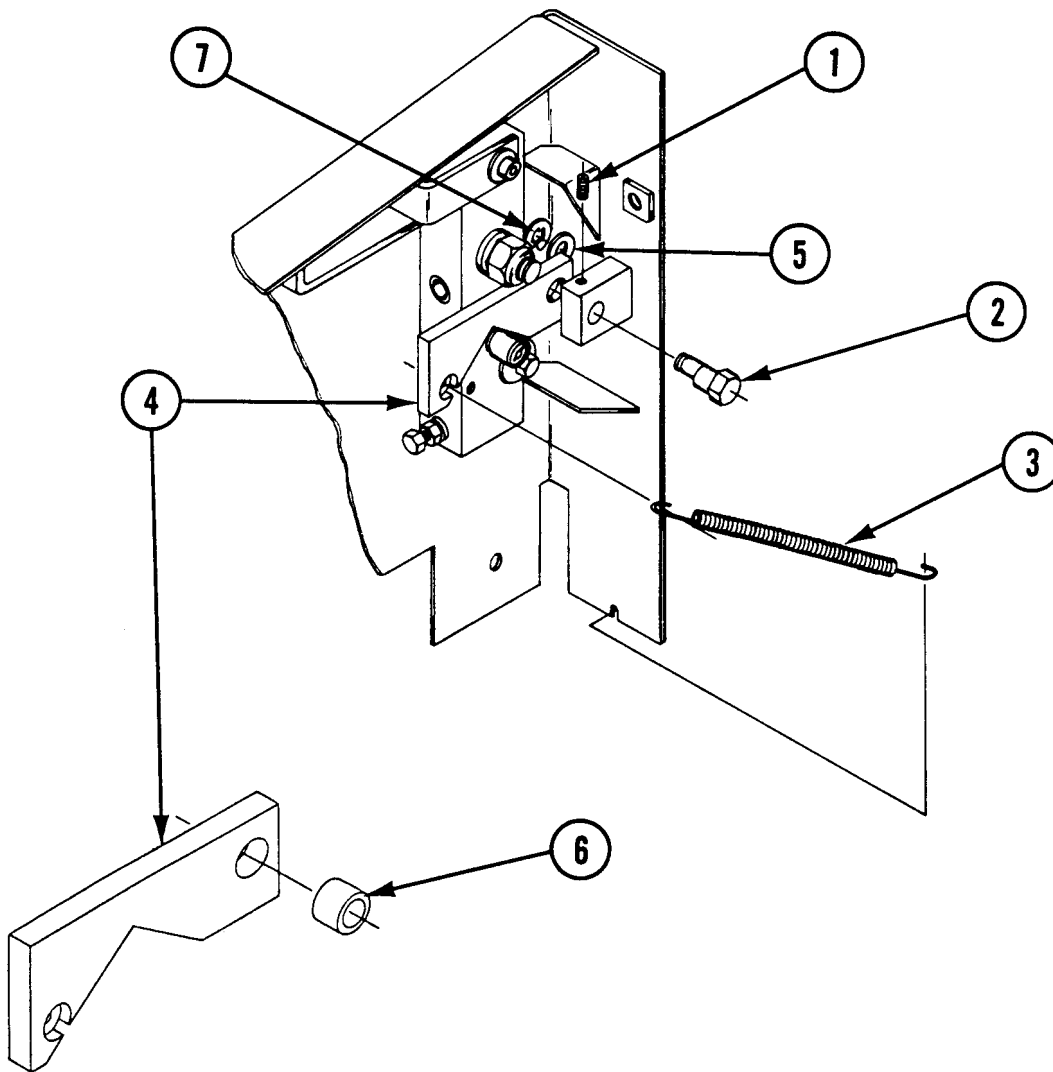
ITEM	DESCRIPTION	PART NO.	QTY.
1	JOYSTICK YOKE	79522	1
2	PIVOT BLOCK	79523	1
3	JOYSTICK PIVOT SHAFT	79524	1
4	JOYSTICK TOP PLATE	79525	1
5	TRUNION PIN	79526	2
6	JOYSTICK HANDLE	79527	1
7	HANDLE GRIP	23656	1
8	FOAM	79528	1
9	BELLOWS, BOOT	79529	1
10	SWITCH	79530	1
11	BEARING	79532	2
12	BEARING	79531	2
13	FLAT HEAD SCREW 1/4-20 X 1/2	79587	2
14	SETSCREW 1/4-20 X 5/16	79372	2
15	#4 LOCKWASHER, INTERNAL STAR	79534	2
16	#4-40 X 3/4 HEX-SLOTTED HEAD	79535	2
17	SNAP RING	79536	1
18	BALL PLUNGER, 3/8-16 X 5/8	79537	1
19	ROLL PIN, 3/16 X 1	79294	1
20	JOYSTICK COVER WLDT.	79572	1
21	BALL JOINT, FEMALE 1/4-28	79513	2
22	CAPSCREW, HEX HEAD, 1/4-20 X 2-1/4 GR.5	79589	1
23	BUSHING	79514	4
24	PUSH-PULL CABLE (RIGHT)	79511	1
25	PUSH-PULL CABLE (LEFT)	79512	1
26	NUT, 1/4-28 (COMES WITH #24 & #25)	90095	2
27	NUT, 1/4-20, STOVER	79585	1





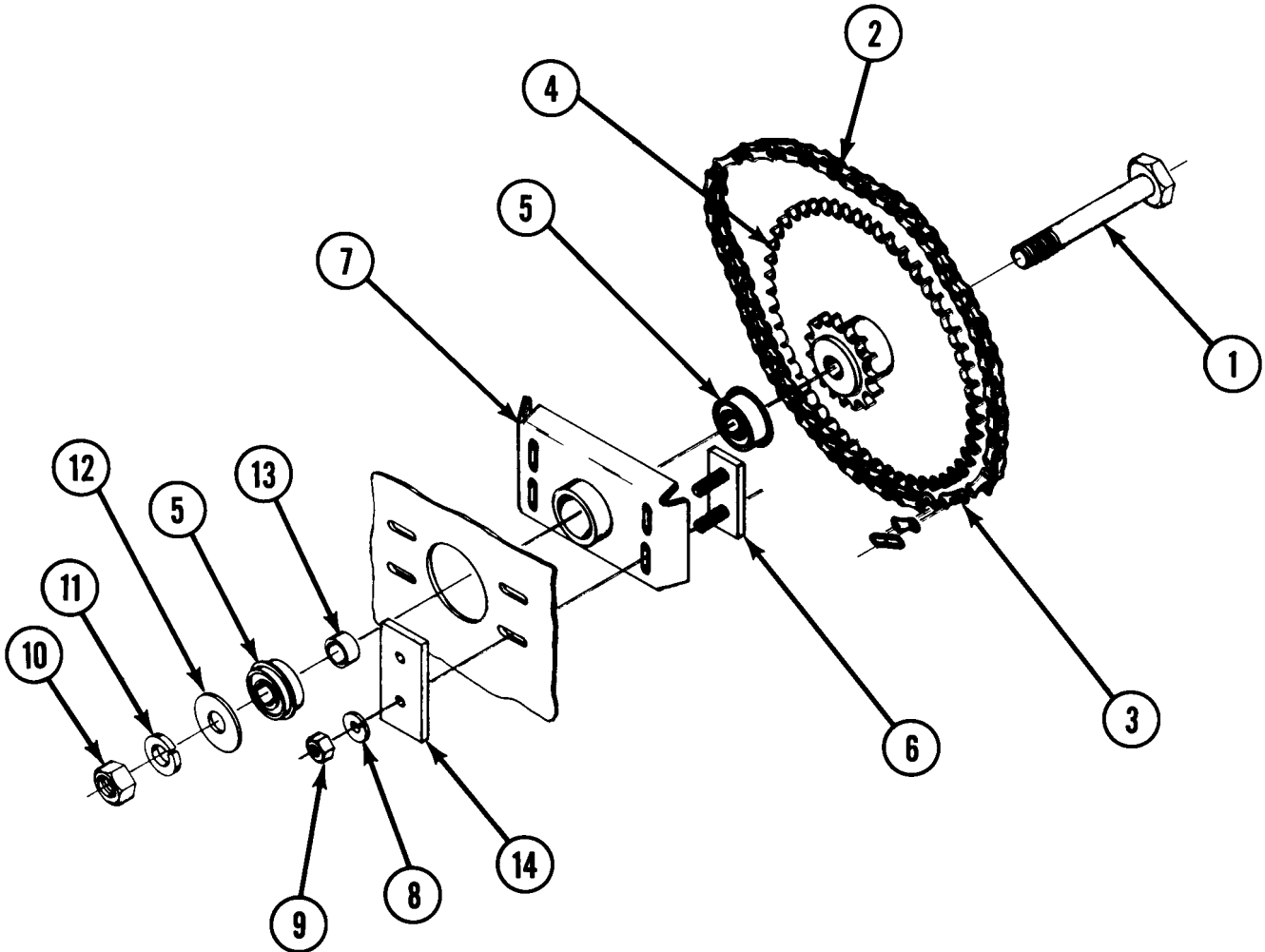
# TWO LEVER NEUTRAL RETURN PARTS

ITEM	DESCRIPTION	PART NO.	QTY.
1	SETSCREW, SKTHD, 1/4-20 X 5/16 NYLOC	79320	1
2	CENTERING CAM, ECCENTRIC	79087	1
3	EXTENSION SPRING, 3/8 OD X 5-5/8"	79233	1
4	CENTERING CAM BAR, RIGHT (SHOWN)	79099	1
	CENTERING CAM BAR, LEFT	79098	1
5	THRUST WASHER	79183	1
6	CAM BUSHING	79157	1
7	E-RING	79345	1



# JACK SHAFT PARTS

ITEM	DESCRIPTION	PART NO.	QTY.
1	JACK SHAFT BOLT, SPECIAL, 3/4-10 THRD	79027	1
2	#40 CHAIN	79085	1
3	MASTER LINK, #40 CHAIN	79165	1
4	DOUBLE SPROCKET, #50-15 & #40-60	79347	1
5	BEARING, .750 BORE	79161	2
6	DOUBLE BOLT WELDMENT, 3/8-16	79101	2
7	JACK SHAFT IDLER WELDMENT	79068	1
8	LOCKWASHER, 3/8 HEAVY, SPLIT SPRING	79268	4
9	LOCKNUT, HEX, 3/8-16	79261	4
10	NUT, HEX, 3/4-10	79285	1
11	LOCKWASHER, 3/4 STD, SPLIT SPRING	79287	1
12	WASHER, 3/4 STD, FLAT	79275	1
13	BEARING SPACER	79005	1
14	DOUBLE WASHER	79100	2



# FINAL DRIVE WHEEL W/WELDED HUB

ITEM	DESCRIPTION	PART NO.	QTY.
1	WASHER, 1-1/2 OD X 1 ID X 1/16 THK	79019	2
2	WASHER, 1-1/2 OD X 1 ID X 1/8 THK	79020	4
3	BEARING, 1" BORE, W/COLLAR	79330	1
4	MASTER LINK, #50 CHAIN	79160	1
5	CHAIN, #50 ("LB" FRAME) 56 ROLLERS	79084	1
	CHAIN, #50 ("S" & "LK" FRAME) 60 ROLLERS	79152	1
6 *	DRIVE WHEEL HUB WELDMENT	79065	1
7	WHEEL, W/RIM & TIRE ("S" FRAME)	79162	1
	WHEEL, W/RIM & TIRE ("LB" & "LK" FRAMES)	79172	1
8	TIRE 18/9.50 X 8 ("S" FRAME)	79337	1
	TIRE 20/10 X 10 ("LB" & "LK" FRAMES)	79338	1
9	LUG NUT, 60 DEG, 1/2-20	79293	4
10	SETSCREW, 1/4-28 X 5/16, W/NYLOC	79288	4
11	BEARING, 1" BORE, WITH COLLAR WITHOUT COLLAR	79330 79331	1 1
12	PIN, SPIROL, 5/16 X 1-1/2, STD DUTY	79364	1
13	AXLE, REMOVEABLE	79428	1
14	FRAME	79540	1
15	NUT, 7/8-14	79439	1
16	LOCKWASHER, 7/8 SPLIT SPRING	79440	1

\*NOTE: WHEN REPLACING 79065, DRIVE WHEEL HUB WELDMENT

USE:

79541, CAST DRIVE WHEEL HUB

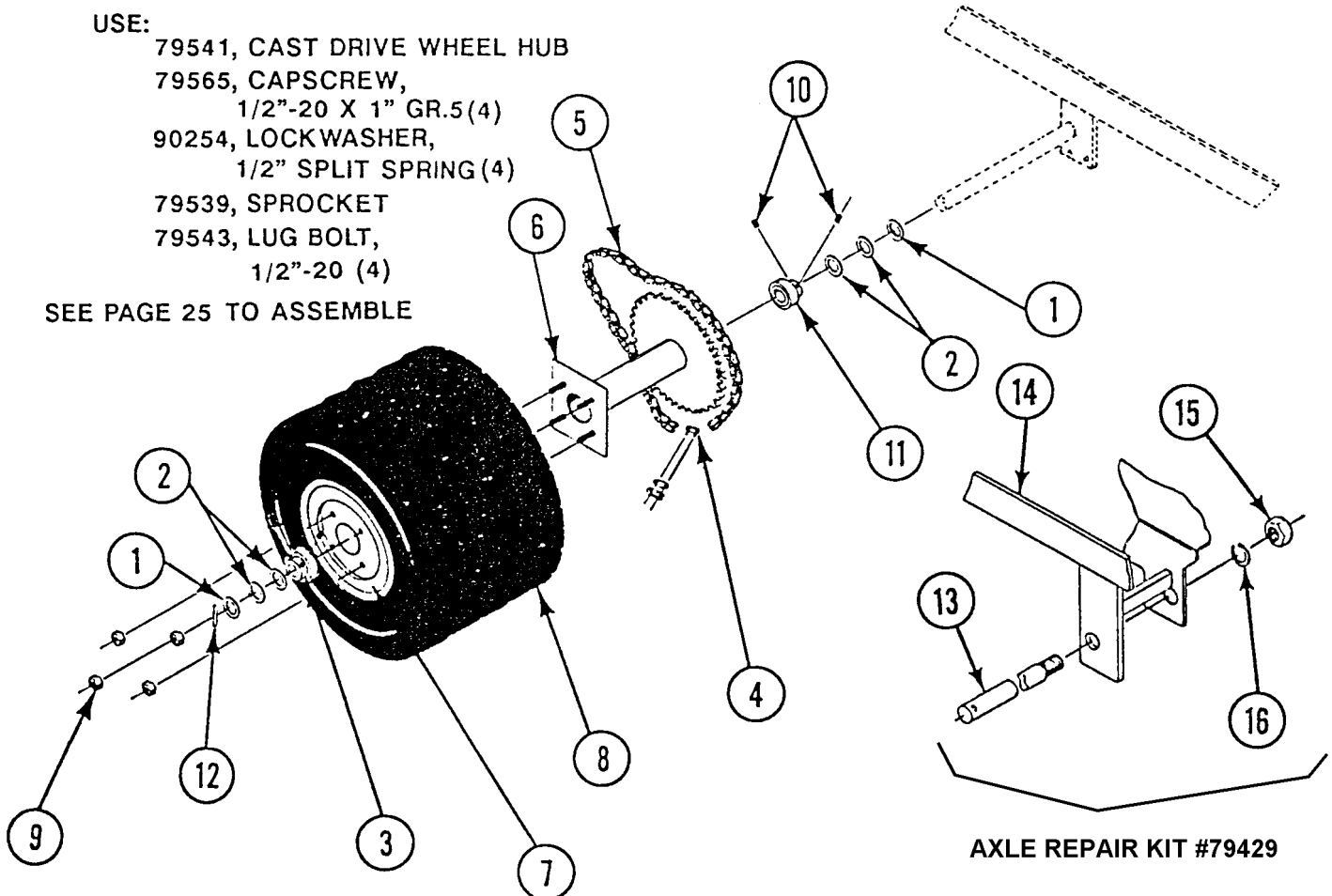
79565, CAPSCREW,  
1/2"-20 X 1" GR.5(4)

90254, LOCKWASHER,  
1/2" SPLIT SPRING(4)

79539, SPROCKET

79543, LUG BOLT,  
1/2"-20 (4)

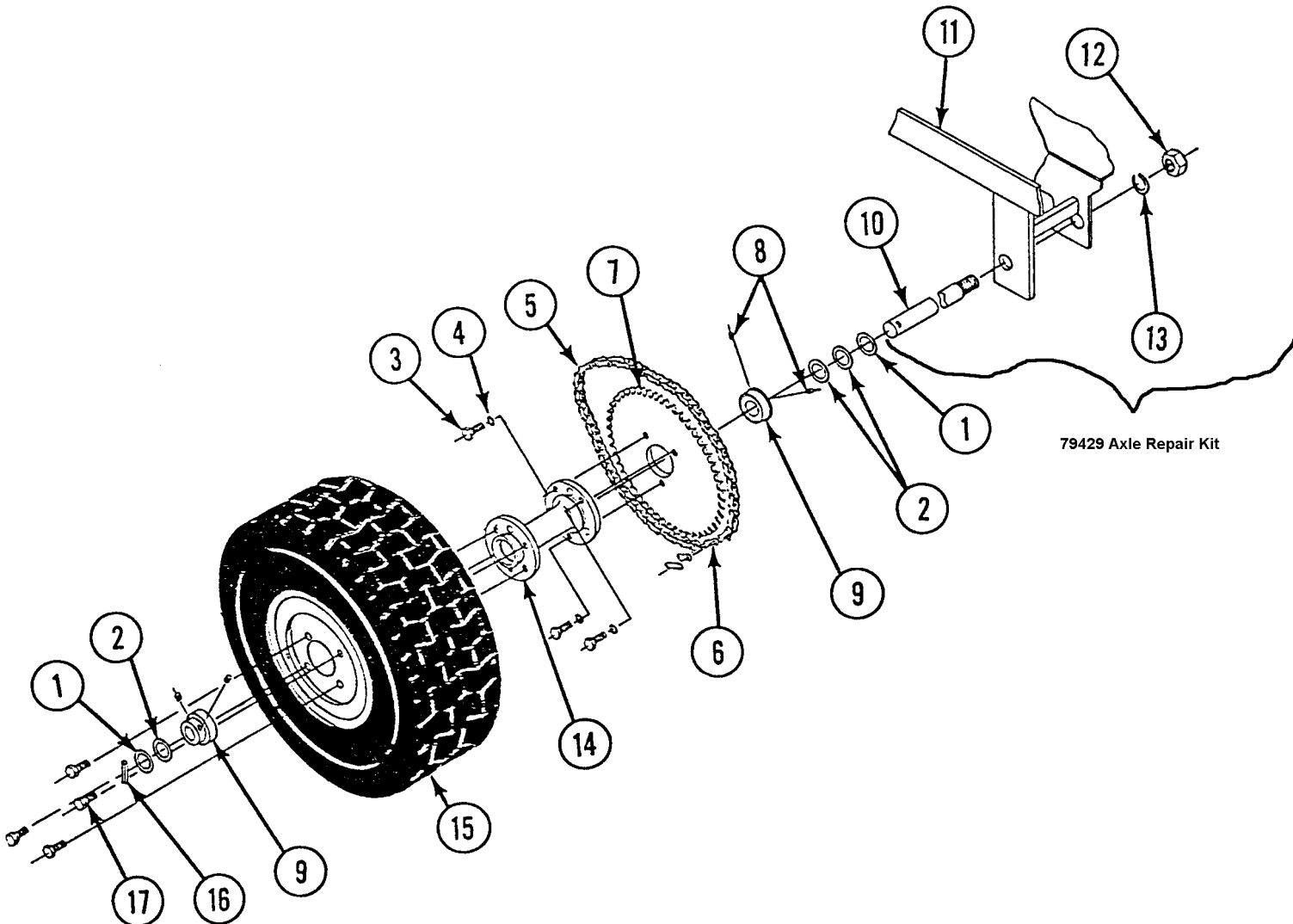
SEE PAGE 25 TO ASSEMBLE



AXLE REPAIR KIT #79429

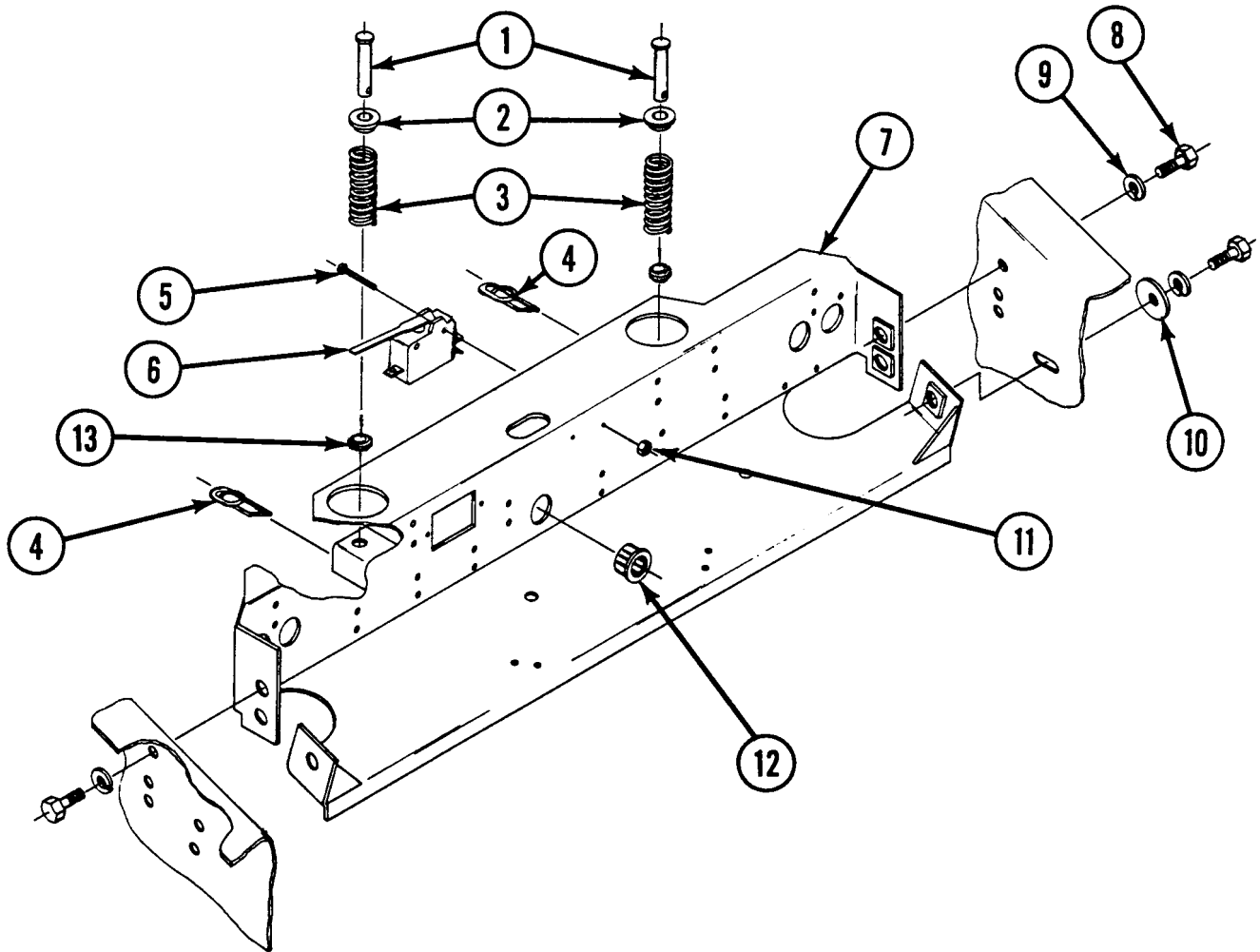
# FINAL DRIVE PARTS W/CAST HUB

ITEM	DESCRIPTION	PART NO.	QTY.
1	WASHER, 1" SPECIAL	79019	2
2	WASHER, 1" X 10 GA.	79020	3
3	CAPSCREW, 1/2-20 X 1 HHCS GR.5	79565	3
4	LOCKWASHER, 1/2 SPLIT SPRING	90254	3
5	CHAIN #50, 56 ROLLERS	79084	1
6	MASTER LINK #50 CHAIN	79160	1
7	SPROCKET	79539	1
8	SETSCREW, 1/4-28 X 5/16 W/NYLOC	79288	4
9	BEARING, 1" BORE	79330	2
10	AXLE, REMOVEABLE	79428	1
11	FRAME	79540	1
12	NUT, 7/8-14	79439	1
13	LOCKWASHER, 7/8 SPLIT SPRING	79440	1
14	HUB, DRIVE WHEEL	79541	1
15	TIRE	79162	1
16	PIN SPIROL, 5/16 X 1-1/2 STD. DUTY	79364	1
17	LUG BOLT, 1/2-20	79543	4



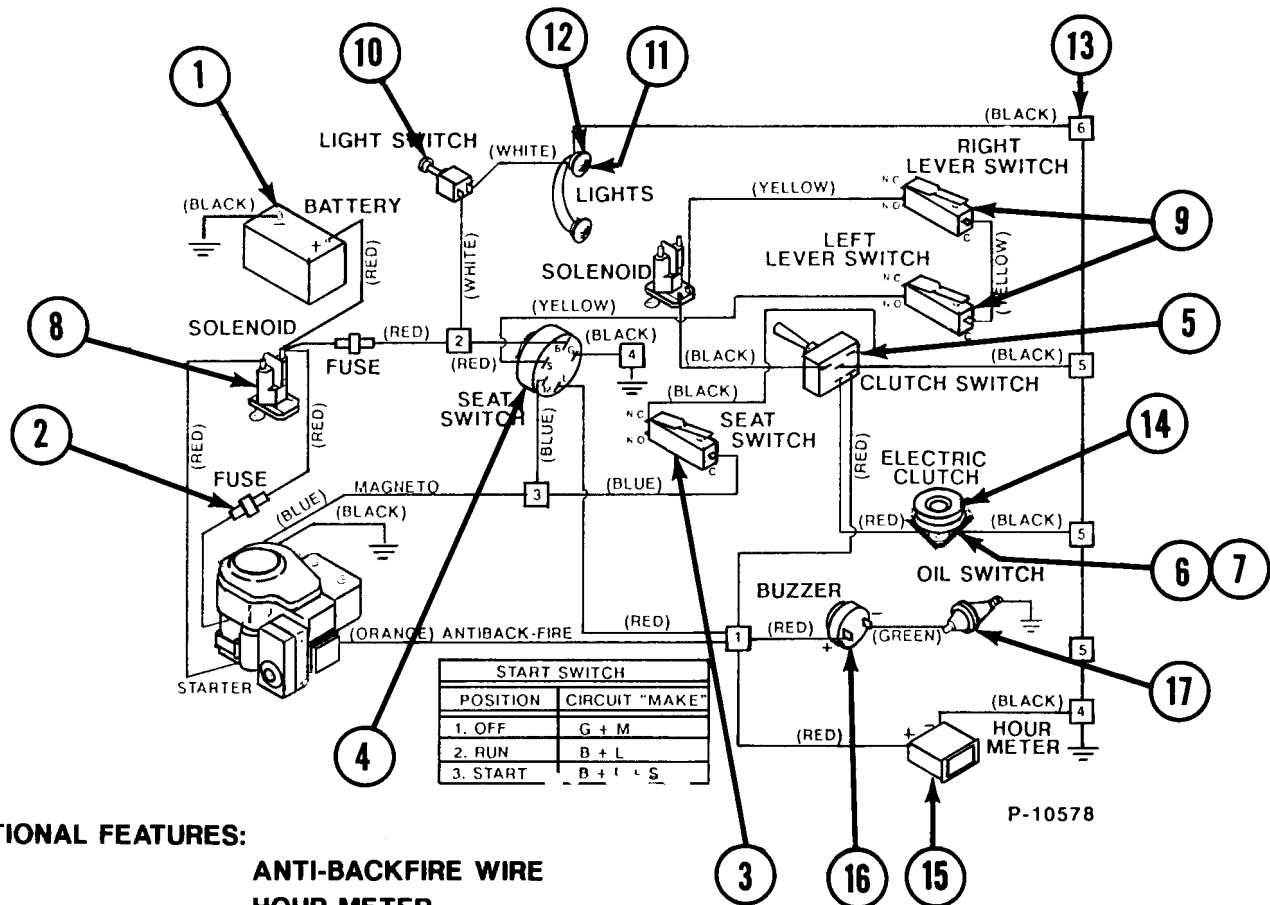
# SEAT STOP BRACKET PARTS

ITEM	DESCRIPTION	PART NO.	QTY.
1	PIN, CLEVIS, 5/16 X 1-3/4	79298	2
2	WASHER, SEAT SPRING	79093	2
3	SPRING, COMPRESSION, .720 X .081 X 2	79211	2
4	COTTER, RUE RING, 5/16-3/8 PIN	79291	2
5	SCREW, ROUNDHEAD, SLOTTED, 6-32 X 1	79281	2
6	SWITCH, SINGLE POLE/DOUBLE THROW, 15A	79194	1
7	SEAT STOP BRACKET WELDMENT	79069	1
	SEAT STOP BRACKET WELDMENT, JOYSTICK	79545	1
8	CAPSCREW, HEX, 5/16-18 X 1, GRADE 5	90636	6
9	LOCKWASHER, 5/16 HEAVY, SPLIT SPRING	79267	6
10	WASHER, 5/16 STD, FLAT	79263	2
11	LOCKNUT, HEX, 6-32 W/NYLOC	79310	2
12	BUSHING, PLASTIC, WIRE PROTECTOR	79191	5
13	WASHER, NYLON SEAT SPRING	79544	2



# TWO-LEVER ELECT. COMPONENT PARTS

ITEM	DESCRIPTION	PART NO.	QTY.
1	BATTERY	79482	1
2	FUSE HOLDER (INLINE)	79206	2
3	SEAT SWITCH	79194	1
4	START SWITCH	79201	1
5	CLUTCH SWITCH	79342	1
6	TERMINAL	79205	2
7	INSULATOR COVER	79204	1
8	SOLENOID	79193	1
9	NEUTRAL SWITCH	79194	2
10	HEADLIGHT SWITCH	79202	1
11	HEADLIGHT	79195	2
12	HEADLIGHT MOUNTING RING	79196	2
13	6 POINT TERMINAL BOARD	79192	1
14	ELECTRIC CLUTCH	79197	1
15	HOUR METER	79203	1
16	BUZZER	79208	1
17	OIL PRESSURE SWITCH (COMES WITH ENGINE)		1
--	20 AMP GLASS (SLO-BLOW) FUSE	79341	2
--	WIRE HARNESS ASSEMBLY	79548	1

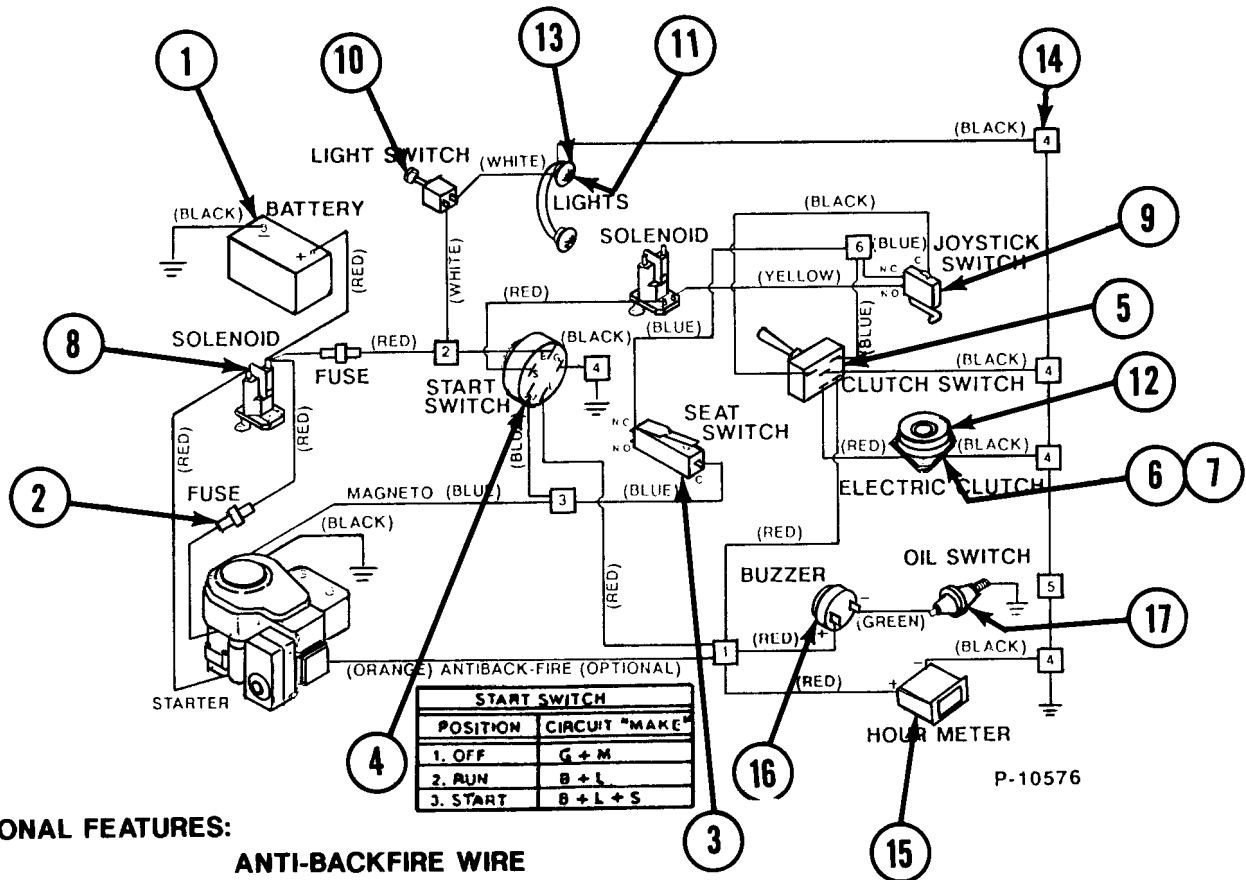


## OPTIONAL FEATURES:

ANTI-BACKFIRE WIRE  
 HOUR METER  
 BUZZER  
 LIGHTS

# JOYSTICK ELECT. COMPONENT PARTS

ITEM	DESCRIPTION	PART NO.	QTY.
1	BATTERY	79482	1
2	FUSEHOLDER (INLINE)	79206	2
3	SEAT SWITCH	79194	1
4	START SWITCH	79201	1
5	CLUTCH SWITCH	79342	1
6	TERMINAL	79205	2
7	INSULATOR COVER	79204	1
8	SOLENOID	79193	1
9	NEUTRAL SWITCH	79530	1
10	HEADLIGHT SWITCH	79202	1
11	HEADLIGHT	79195	2
12	ELECTRIC CLUTCH	79197	1
13	HEADLIGHT MOUNTING RING	79196	2
14	6 POINT TERMINAL BOARD	79192	1
15	HOUR METER	79203	1
16	BUZZER	79208	1
17	OIL PRESSURE SWITCH (COMES WITH ENGINE)		1
--	20 AMP GLASS "SLO-BLOW" FUSE	79341	2
--	WIRE HARNESS ASSEMBLY	79547	1



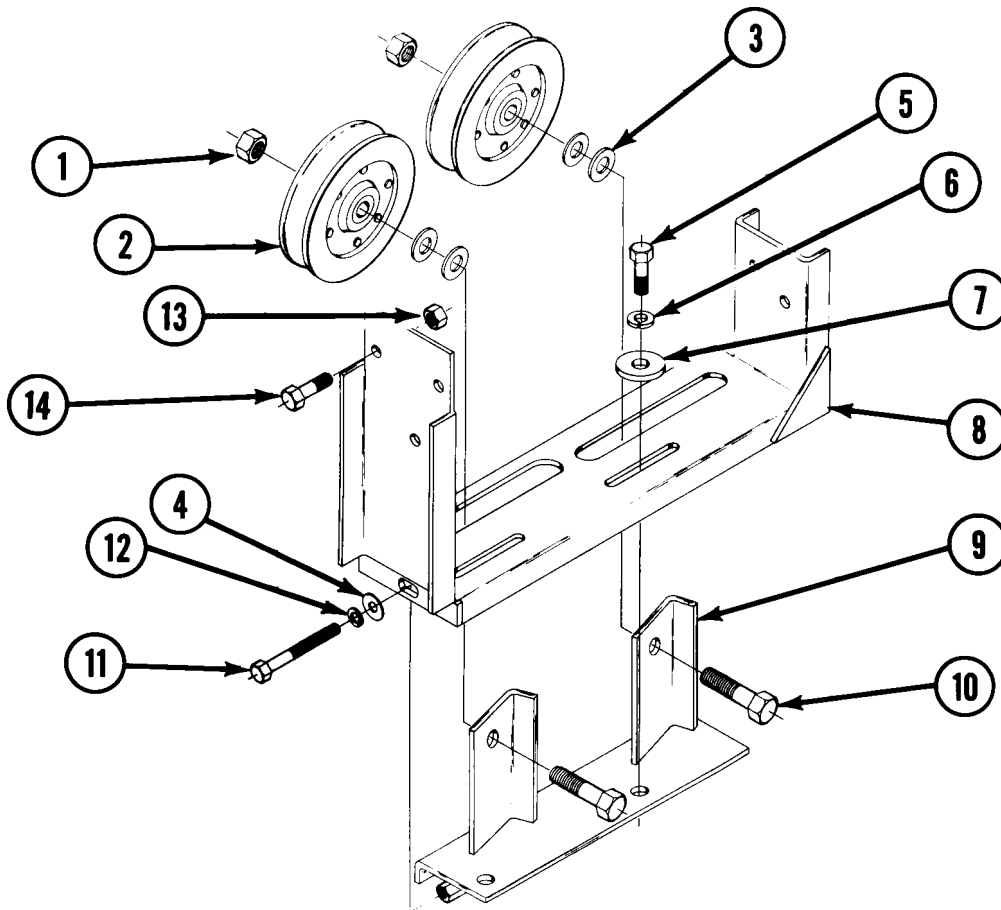
## OPTIONAL FEATURES:

- ANTI-BACKFIRE WIRE
- HOUR METER
- BUZZER
- LIGHTS

# MULE DRIVE ASSEMBLY

"S" & "LB" Frames

ITEM	DESCRIPTION	PART NO.	QTY.
--	MULE DRIVE ASSEMBLY	79154	1
1	LOCKNUT, HEX, 1/2-13, W/NYLOC	79277	2
2	IDLER PULLEY, V, 4-3/8 OD, 1/2 BORE	79166	2
3	WASHER, 1/2 STD, FLAT	79264	4
4	WASHER, 5/16 STD, FLAT	79263	1
5	CAPSCREW, HEX, 3/8-16 X 1, GRADE 5	90563	2
6	LOCKWASHER, 3/8 HEAVY, SPLIT SPRING	79268	2
7	WASHER, .406 ID X 1.25 OD X .168 THK	79108	2
8	MULE DRIVE IDLER MOUNT WELDMENT	79153	1
9	SLIDE PLATE WELDMENT	79106	1
10	CAPSCREW, HEX, 1/2-13 X 2, GRADE 5	79276	2
11	CAPSCREW, HEX, 5/16-18 X 2-1/2, GRADE 5 (FULL LENGTH THREADS)	79311	1
12	LOCKWASHER, 5/16 HEAVY, SPLIT SPRING	79267	1
13	LOCKNUT, HEX, 3/8-16, W/NYLOC	79273	4
14	CAPSCREW, HEX, 3/8-16 X 1, GRADE 5	90563	4
--	BELT, HEX DRIVE, AA 53.5, (NOT SHOWN)	79181	1

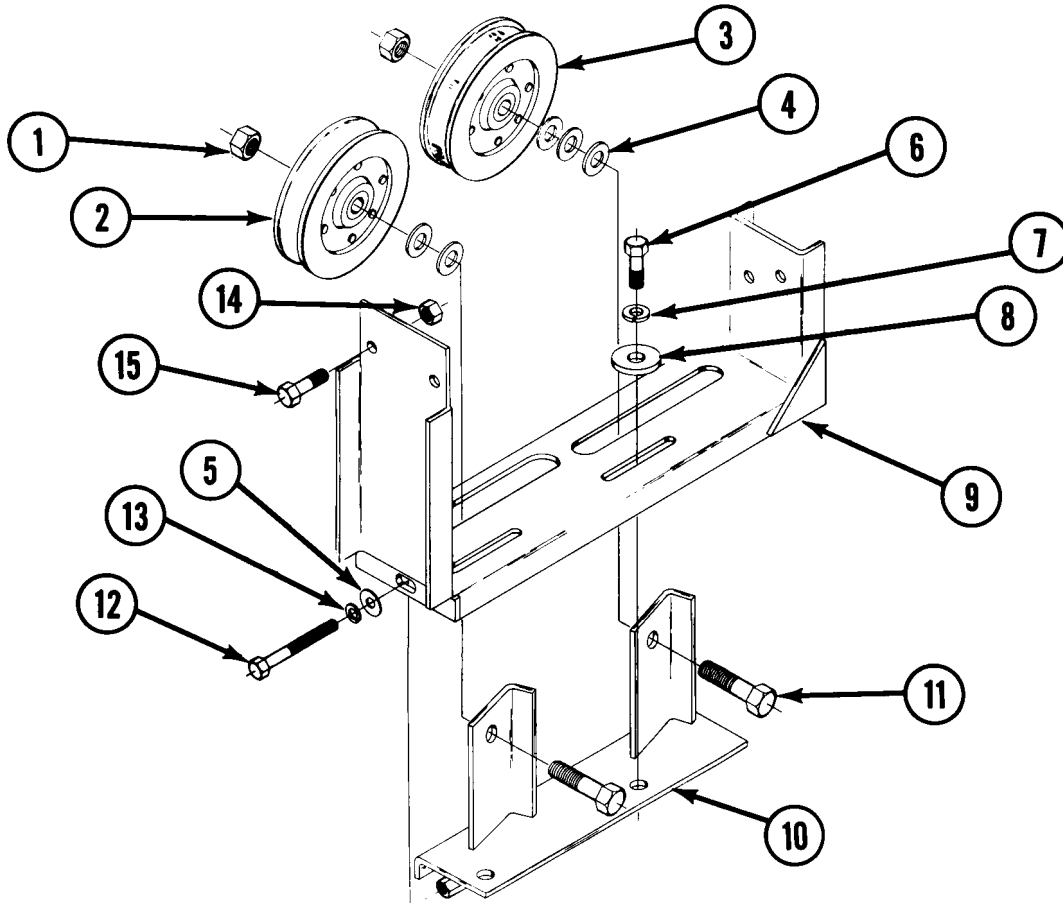




# MULE DRIVE ASSEMBLY

"SK" & "LK" Frames

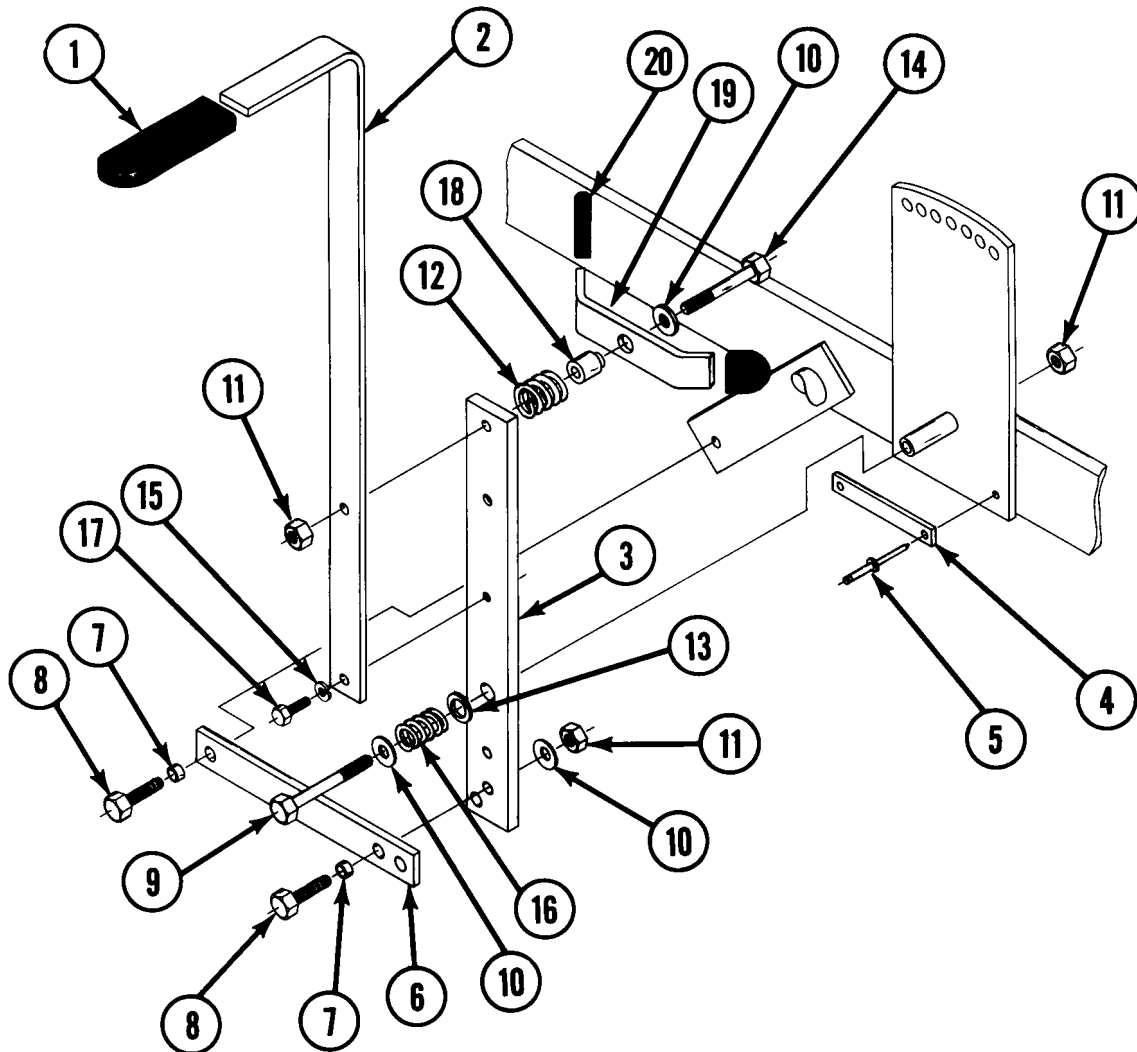
ITEM	DESCRIPTION	PART NO.	QTY.
--	MULE DRIVE ASSEMBLY	79139	--
1	LOCKNUT, HEX, 1/2-13, W/NYLOC	79277	2
2	IDLER PULLEY, V, 4-3/8 OD, 1/2 BORE	79166	1
3	FLAT IDLER	79167	1
4	WASHER, 1/2 STD, FLAT	79264	5
5	WASHER, 5/16 STD, FLAT	79263	1
6	CAPSCREW, HEX, 3/8-16 X 1, GRADE 5	90563	2
7	LOCKWASHER, 3/8 HEAVY, SPLIT SPRING	79268	2
8	WASHER, .406 ID X 1.25 OD X .168 THK	79108	2
9	MULE DRIVE IDLER MOUNT WELDMENT	79136	1
10	SLIDE PLATE WELDMENT	79137	1
11	CAPSCREW, HEX, 1/2-13 X 2, GRADE 5	79276	2
12	CAPSCREW, HEX, 5/16-18 X 2-1/2 GRADE 5 (FULL LENGTH THREADS)	79311	1
13	LOCKWASHER, 5/16 HEAVY, SPLIT SPRING	79267	1
14	LOCKNUT, HEX, 3/8-16, W/NYLOC	79273	4
15	CAPSCREW, HEX, 3/8-16 X 1, GRADE 5	90563	4
--	BELT, A56 (NOT SHOWN)	79580	1



# DECK LIFT HANDLE PARTS

"S" & "SK" FRAME

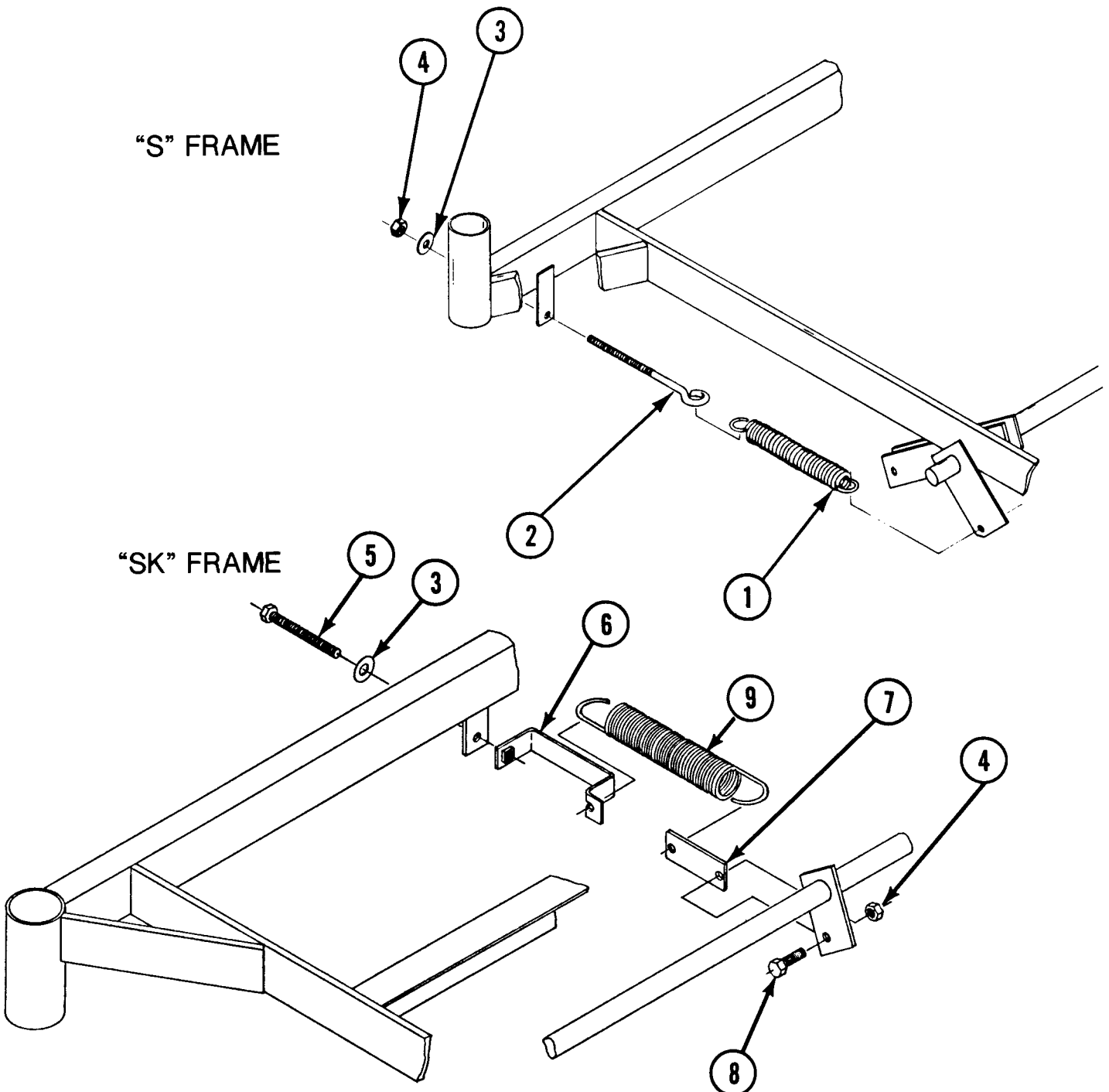
ITEM	DESCRIPTION	PART NO.	QTY.
1	GRIP, VINYL, 1/4 X 1	79213	1
2	HANDLE, DECK LIFT, TOP	79026	1
3	DECK HANDLE WELDMENT	79158	1
4	SLIDE, DECK HANDLE	79014	1
5	BLIND (POP) RIVET	79271	2
6	DECK LIFT CONNECTOR	79092	1
7	BUSHING CONNECTOR	79013	2
8	CAPSCREW, HEX, 3/8-16 X 1-1/4, GRADE 5	90587	2
9	CAPSCREW, HEX, 3/8-16 X 2-3/4, GRADE 5	79313	1
10	WASHER, 3/8 STD FLAT, W SERIES	90600	4
11	LOCKNUT, HEX, 3/8-16 W/NYLOC	79273	4
12	SPRING, COMPRESSION	79230	1
13	WASHER, .656 ID X 1 OD X 8 GA 2-3/8	79105	1
14	CAPSCREW, HEX, 3/8-16 X 2-3/8, GRADE 5	70270	1
15	LOCKWASHER, 5/16 HEAVY, SPLIT SPRING	79267	1
16	SPRING, COMPRESSION	79212	1
17	CAPSCREW, HEX, 5/16-18 X 3/4, GRADE 5	79315	1
18	LOCK STAND	79129	1
19	LOCK ARM	79128	1
20	GRIP, LOCK	79130	2



# SPRING CONNECTION PARTS

"S" & "SK" Frame

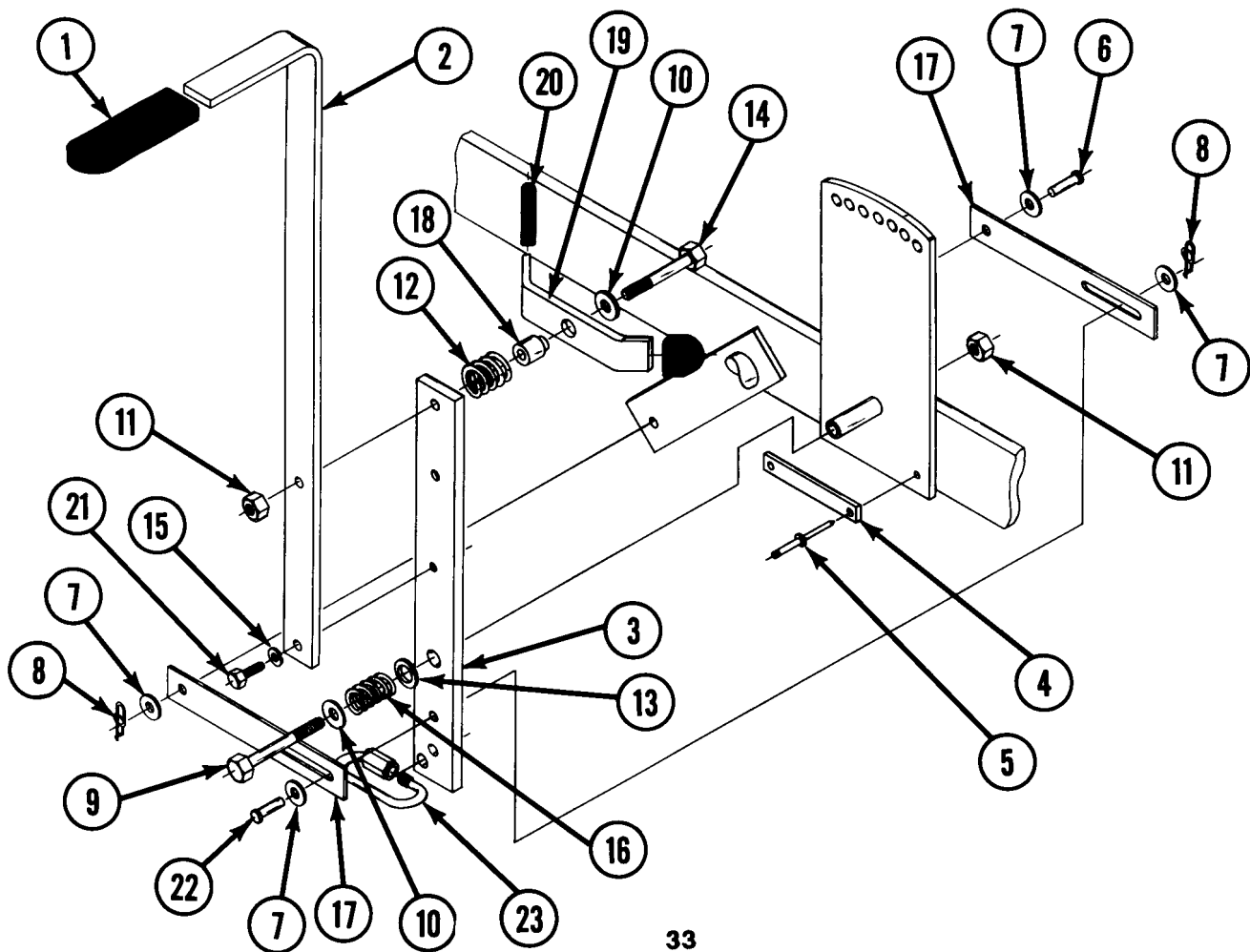
ITEM	DESCRIPTION	PART NO.	QTY.
1	DECK SPRING, 1-1/2" X 8" LONG	79368	1
2	EYEBOLT 3/8-16 X 7-1/2" (FULL EYE)	79297	1
3	WASHER, 3/8 STD, FLAT	90600	1
4	LOCKNUT, HEX, 3/8-16, W/NYLOC	79273	2
5	CAPSCREW, 3/8-16 X 3 ALL THRD.	79550	1
6	SPRING TIGHTENER 42" & 48" DECKS	79551	1
7	SPRING EXTENSION PLATE	79552	1
8	CAPSCREW, 3/8-16 X 1 GR.5	90563	1
9	DECK SPRING, 1.65" X 9" LONG	79628	1



# DECK LIFT HANDLE PARTS

## "LB" & "LK" FRAME

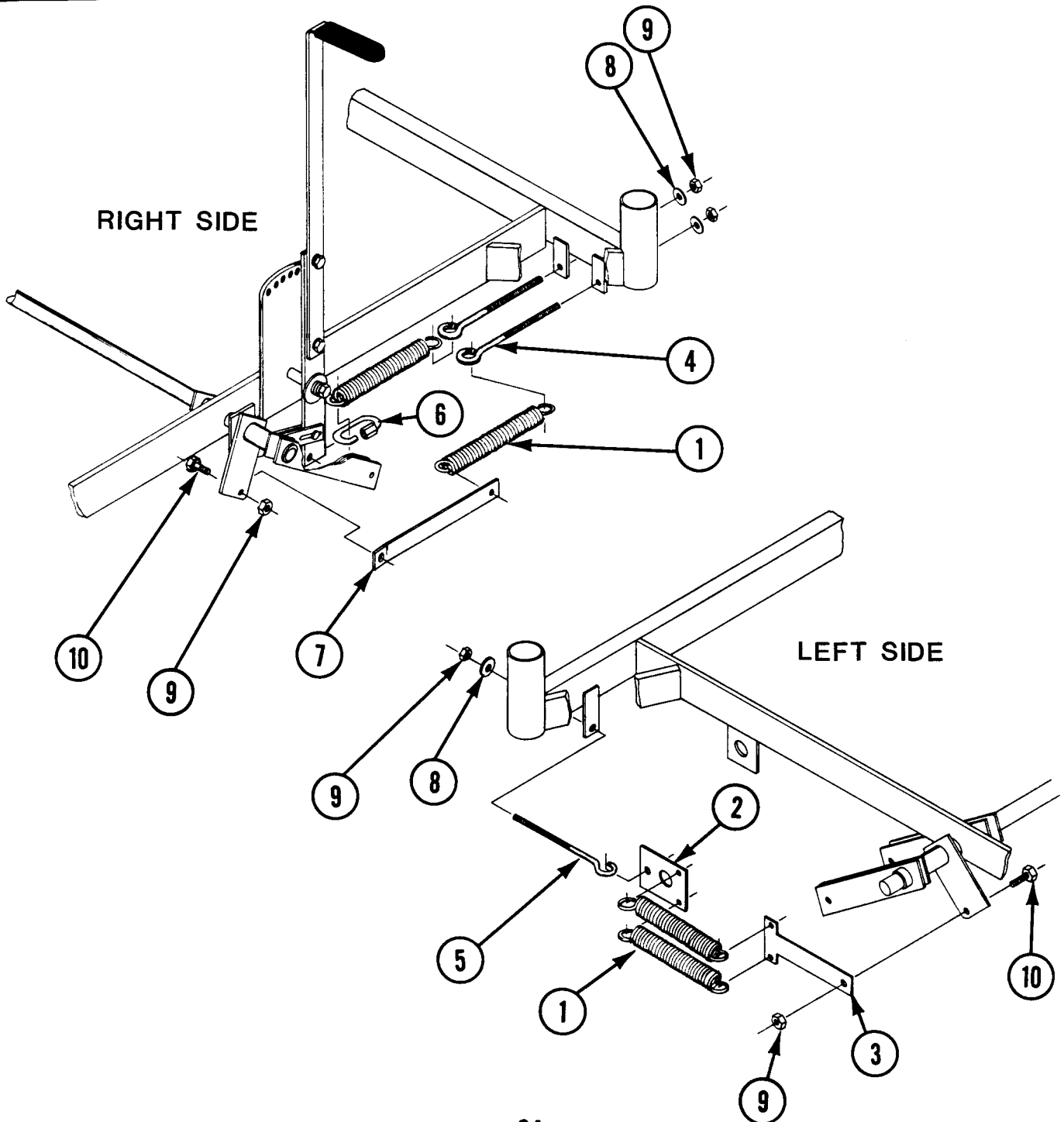
ITEM	DESCRIPTION	PART NO.	QTY.
1	GRIP, VINYL, 1/4 X 1	79213	1
2	HANDLE, DECK LIFT, TOP	79026	1
3	DECK HANDLE WELDMENT	79158	1
4	SLIDE, DECK HANDLE	79014	1
5	BLIND (POP) RIVET	79271	2
6	PIN, CLEVIS, 5/16 X 7/8	79283	1
7	WASHER, 5/16 STD, FLAT	79263	4
8	COTTER, RUE RING, 5/16-3/8 PIN	79322	2
9	CAPSCREW, HEX, 3/8-16 X 2-3/4, GRADE 5	79313	1
10	WASHER, 3/8 STD FLAT, W SERIES	90600	2
11	LOCKNUT, HEX, 3/8-16 W/NYLOC	79273	2
12	SPRING, COMPRESSION	79230	1
13	WASHER, .656 ID X 1 OD X 8 GA	79105	1
14	CAPSCREW, HEX 3/8-16 X 2-3/8, GRADE 5	70270	1
15	LOCKWASHER, 5/16 HEAVY, SPLIT SPRING	79267	1
16	SPRING, COMPRESSION	79212	1
17	LINK, HANDLE	79127	2
18	LOCK STAND	79129	1
19	LOCK ARM	79128	1
20	GRIP, LOCK	79130	2
21	CAPSCREW, HEX, 5/16-18 X 3/4, GRADE 5	79315	1
22	PIN, CLEVIS, 5/16 X 27/32	79322	1
23	CHAIN CONNECTOR	79316	1



# SPRING CONNECTION LIFT PARTS

"LB" & "LK" Frame

ITEM	DESCRIPTION	PART NO.	QTY.
1	DECK SPRING, 1-1/2" X 8" LONG	79368	4
2	SPRING EXTENSION PLATE	79125	1
3	SPRING EXTENSION PLATE (T)	79132	1
4	EYEBOLT 3/8-16 X 7-1/2" (FULL EYE)	79297	2
5	EYEBOLT 3/8-16 X 7-1/2" (OPEN EYE)	79134	1
6	CHAIN CONNECTOR	79316	1
7	RIGHT SPRING EXTENSION PLATE	79133	1
8	WASHER, 3/8 STD, FLAT	90600	3
9	LOCKNUT, HEX, 3/8-16, W/NYLOC	79273	5
10	CAPSCREW, HEX, 3/8-16 x 1-1/4	90587	2



## CASTER WHEEL PARTS

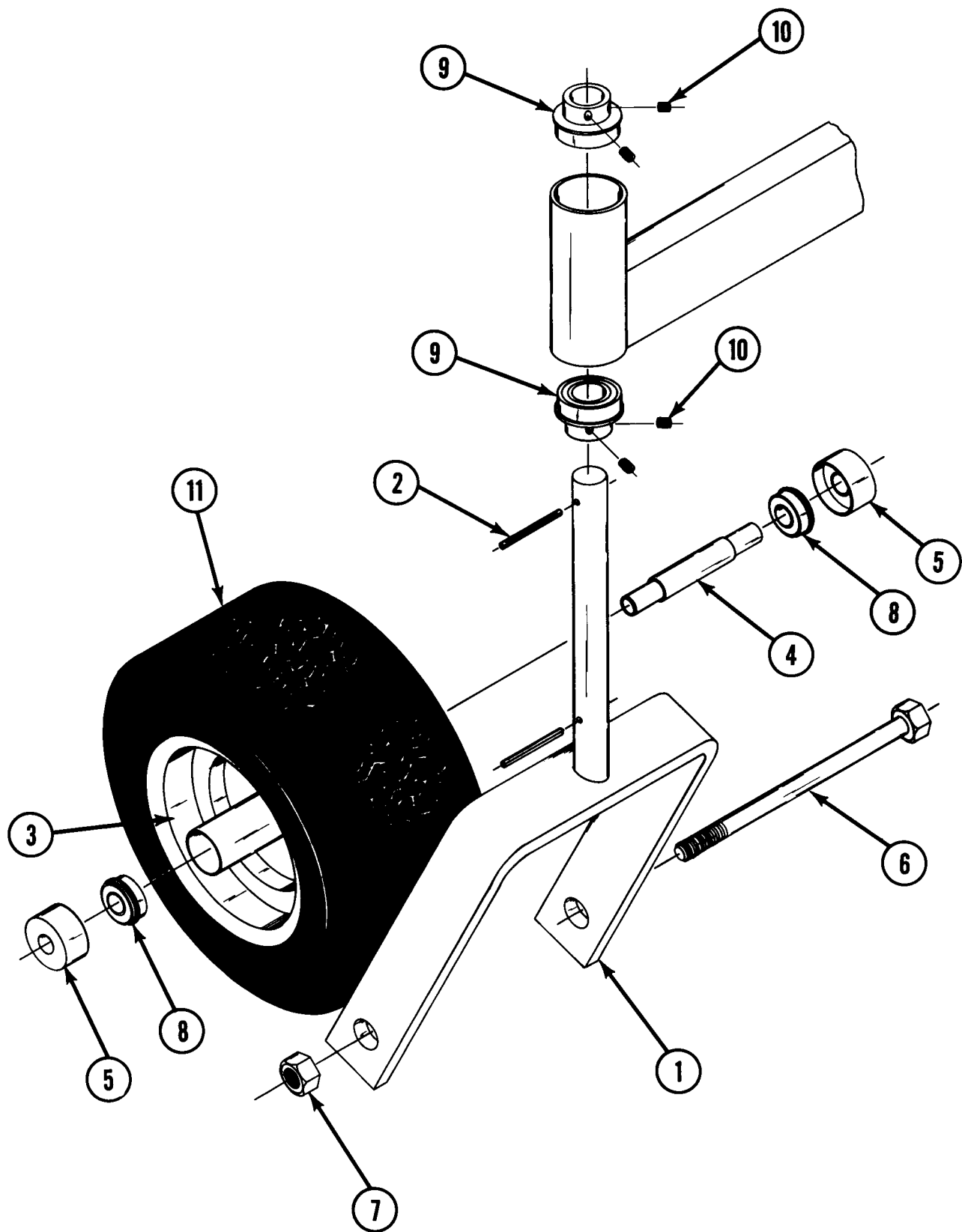
"S" & "SK" Frames

ITEM	DESCRIPTION	PART NO.	QTY.
--	CASTER WHEEL ASSEMBLY	79354	--
1	CASTER WELDMENT	79001	1
2	PIN, SPIROL, 3/16 X 2, LIGHT DUTY	79285	2
3	WHEEL 410 X 350-4, 2 PLY, W/RIM	79164	1
6	CAPSCREW, 5/8-11 X 7.5, GRADE 5	79312	1
7	LOCKNUT, 5/8-11, TOPLOCK 3/8	90755	1
8	BEARING, 5/8 I.D. X 1-3/8 O.D.	79339	2
9	BEARING, 1" BORE	79330	2
10	SETSCREW, 1/4-28 X 5/16	79288	4
11	TIRE, 410/350 X 4	79335	1

## CASTER WHEEL PARTS

"LB" & "LK" Frames

ITEM	DESCRIPTION	PART NO.	QTY.
--	CASTER WHEEL ASSEMBLY, LONG FRAME	79360	--
1	CASTER WELDMENT	79359	1
2	PIN, SPIROL, 3/16 X 2, LIGHT DUTY	79285	2
3	TIRE, 13-5-6, ON WHEEL	79171	1
4	SPACER, BEARING	79358	1
5	SHIELD, BEARING	79357	2
6	CAPSCREW, HEX, 1/2-13 X 8, GRADE 5	79363	1
7	NUT, HEX, 1/2-13, STOVER	79262	1
8	BEARING, 5/8 I.D. X 1-3/8 O.D.	79339	2
9	BEARING, 1" BORE	79330	2
10	SETSCREW, 1/4-28 X 5/16	79288	4
11	TIRE, 13 X 5.00-6	79336	1

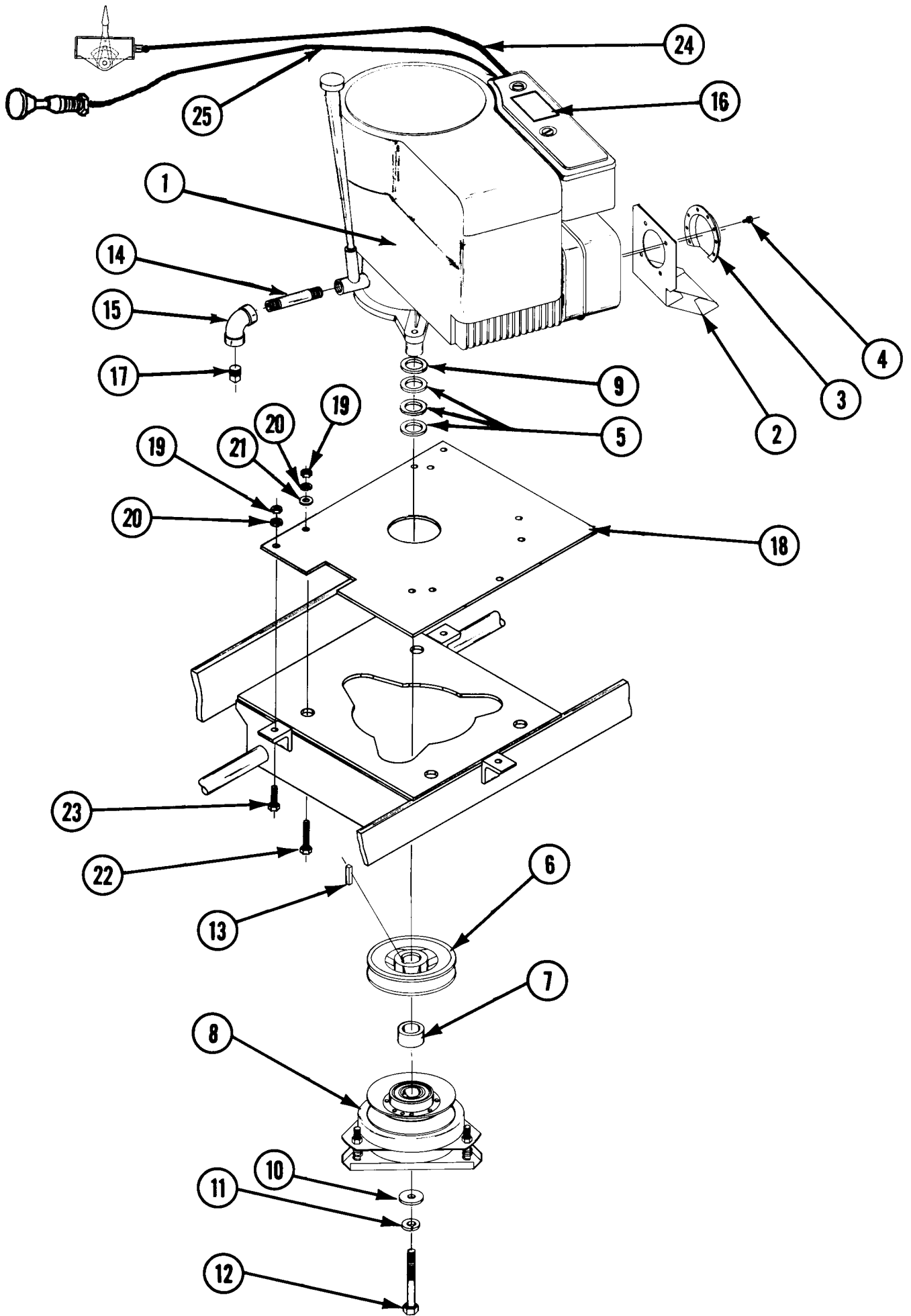


# SINGLE CYLINDER ENGINE ASSEMBLY

ITEM	DESCRIPTION	PART NO.	QTY.
--	12 HP MOTOR ASSEMBLY	NA	1
1	ENGINE, 12 HP,GAS,	NA	1
2	EXHAUST DEFLECTOR	79056	1
3	SIDEOUT DEFLECTOR	79225	1
4	SCREW FOR DEFLECTOR	79290	4
5	WASHER 1-1/2 OD X 1 ID X 1/8 THK	79020	3
6	PULLEY BK50-1, 4" A PITCH	79332	1
7	SPACER PULLEY/ELECTRIC CLUTCH	79071	1
8	CLUTCH, ELECTRIC #5210-17	79446	1
9	WASHER, 1-1/2 OD X 1" ID X 1/16 THK	79019	1
10	WASHER, 15/32" ID	79022	1
11	LOCKWASHER, 7/16 SPLIT SPRING	90247	1
12	CAPSCREW, 7/16-20 X 3, GRADE 5	79314	1
13	SQUARE KEY, 1/4" X 1"	79000	1
14	NIPPLE, 3/8 X 3, SCH. 40, BLACK	79209	1
15	ELBOW, 3/8, 90 DEGREE, SCH. 40	79210	1
16	DECAL, "PERIODICALLY CLEAN DEBRIS"	79237	1
17	3/8 PIPE PLUG, BLACK	79367	1
18	MOTOR MOUNTING PLATE	79114	1
19	NUT, 5/16-24 UNF, GRADE 5	79324	7
20	LOCKWASHER, 5/16 HEAVY SPRING	79267	7
21	WASHER, FLAT, STD, STEEL 5/16"	79263	4
22	CAPSCREW, HEX, 5/16-24 X 1-1/2, GRADE 5	79325	4
23	CAPSCREW, HEX, 5/16-24 X 1, GRADE 5	90238	3
24	THROTTLE CABLE	79076	1
25	CHOKE CABLE	79083	1
--	TAG "NOTICE ADD OIL, GAS, ETC."	79241	1

NOTE: FOR PROPER BELT CLEARANCE, ALL SPACERS MUST BE USED AS CALLED OUT.



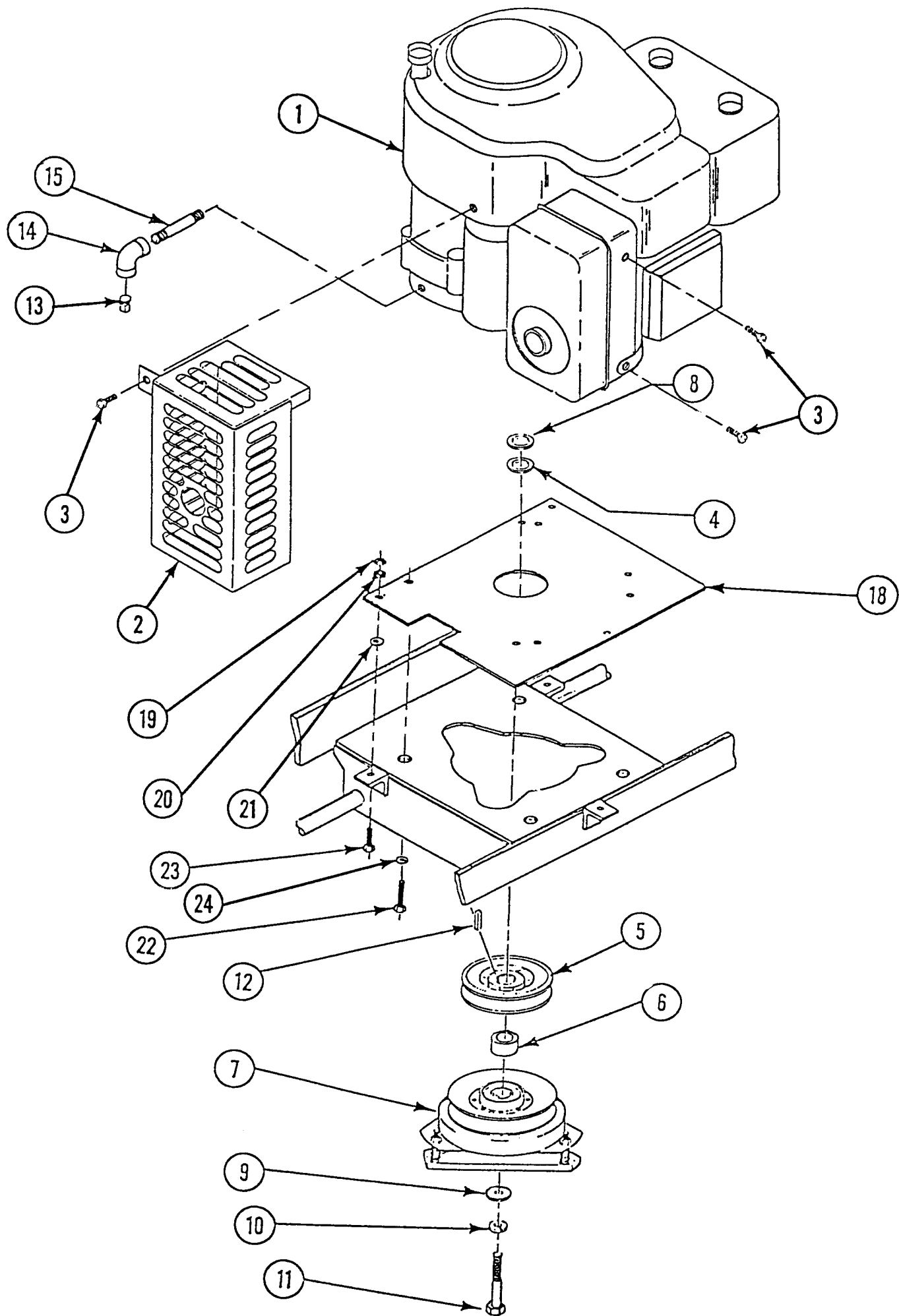


## ENGINE ASSEMBLY 12.5 HP VAN GUARD

ITEM	DESCRIPTION	PART NO.	QTY.
--	12.5 HP MOTOR ASSEMBLY	NA	1
1	12.5 HP BRIGGS VAN GUARD	NA	1
2	MUFFLER GUARD WLDT.	79554	1
3	CAPSCREW, M6 X 1 X 12	79555	3
4	WASHER, 1" 10 GA.	79020	1
5	PULLEY, BK 52-1	79556	1
6	SPACER PULLEY/ELECTRIC CLUTCH	79071	1
7	CLUTCH, ELECTRIC #5210-17	79446	1
8	WASHER, 1" SPECIAL	79019	1
9	WASHER, 15/32" I.D.	79022	1
10	LOCKWASHER, 7/16 SPLIT SPRING	90247	1
11	CAPSCREW, 7/16-12 X 3" GR.5	79314	1
12	SQUARE KEY, 1/4 X 1"	79000	1
13	3/8 PIPE PLUG, BLACK	79367	1
14	ELBOW, 3/8 90 DEGREE, SCH. 40	79210	1
15	NIPPLE, 3/8 X 3" SCH. 40, BLACK	79209	1
18	MOTOR MOUNING PLATE	79114	1
19	NUT, 5/16-24 UNF, GR.5	79324	3
20	LOCKWASHER, 5/16 HEAVY SPRING	79267	3
21	WASHER, 5/16 STD. FLAT	79263	3
22	CAPSCREW, 3/8-16 X 1" GR.5	90563	4
23	CAPSCREW, 5/16-24 X 1" GR.5	90238	3
24	LOCKWASHER, 3/8 SPLIT SPRING	79268	4
--	NOTICE TAG	79241	1
--	DECAL, PERIODICALLY CLEAN	79237	1

NOTE: FOR MODELS Z1251BV & Z1251BVJ USE:

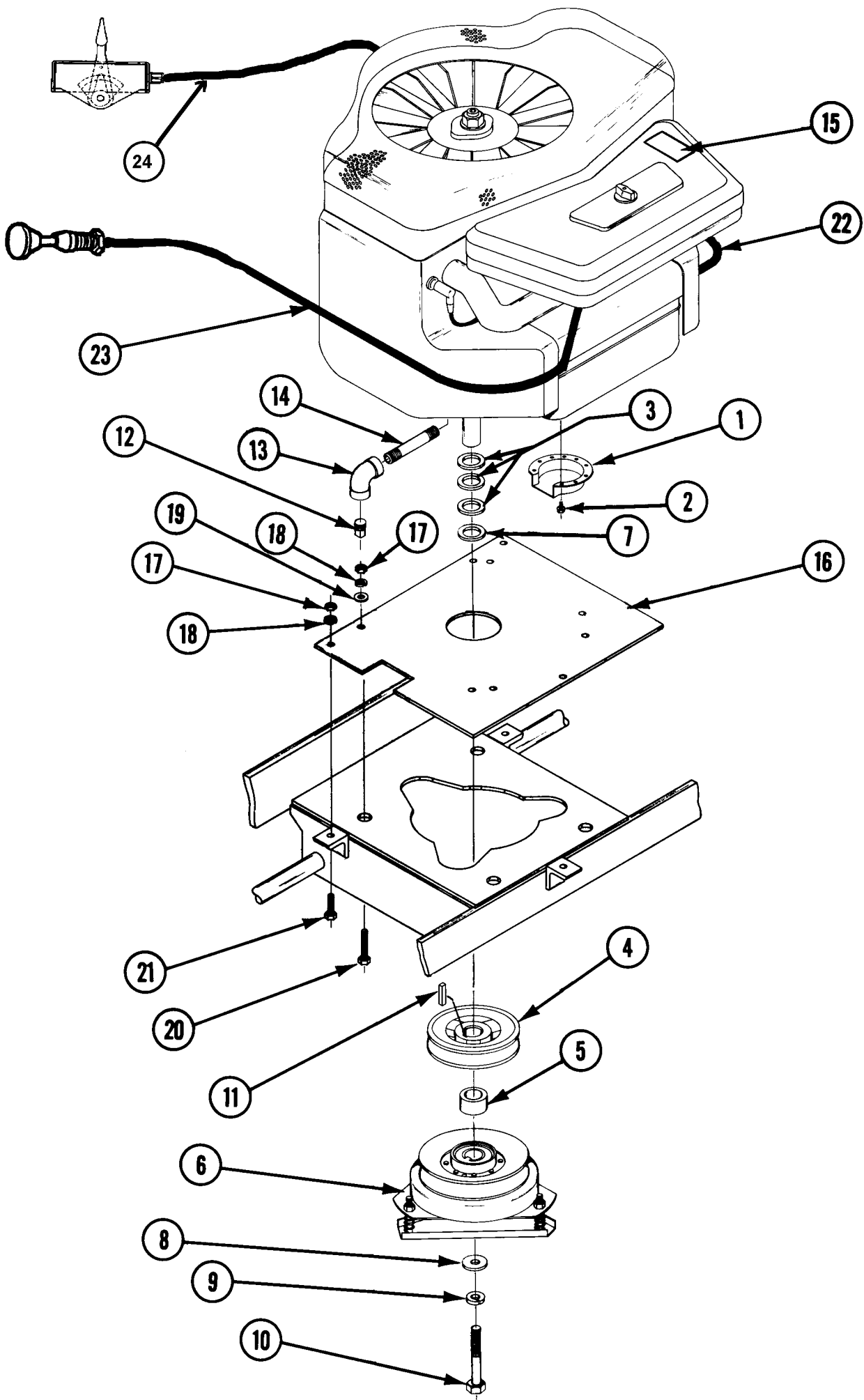
DRIVE PULLEY	79556	1
HYDRO DRIVE	79517	1
DRIVE BELT	79564	1



# TWIN CYLINDER ENGINE ASSEMBLY, BRIGGS

ITEM	DESCRIPTION	PART NO.	QTY.
--	TWIN CYLINDER ENGINE ASSEMBLY	NA	
	ENGINE 14 HP	NA	
	16 HP	NA	
	18 HP	NA	
1	SIDEOUT DEFLECTOR	79225	1
2	SCREW FOR SIDEOUT DEFLECTOR	79290	4
3	WASHER, 1-1/2 OD X 1 ID X 1/8 THK	79020	3
4	PULLEY, BK50-1, 4" A PITCH	79332	1
5	SPACER, PULLEY/ELECTRIC CLUTCH	79071	1
6	CLUTCH, ELECTRIC, #5210-17 CU	79446	1
7	WASHER, 1-1/2 OD X 1 ID X 1/16 THK	79019	1
8	WASHER, 15/32" ID	79022	1
9	LOCKWASHER, 7/16 STD, SPLIT SPRING	90247	1
10	CAPSCREW, HEX, 7/16-20 X 3, GRADE 5	79314	1
11	SQUARE KEY, 1/4" X 1"	79000	1
12	3/8 PIPE PLUG	79367	1
13	ELBOW, 3/8 X 90 DEG, SCH. 40, BLACK	79210	1
14	NIPPLE, 3/8 X 3, SCH. 40, BLACK	79209	1
15	DECAL "PERIODICALLY CLEAN DEBRIS"	79237	1
16	MOTOR MOUNTING PLATE	79114	1
17	NUT, 5/16-24 UNF, GRADE 5	79324	7
18	LOCKWASHER, 5/16 HEAVY SPRING	79267	7
19	WASHER, FLAT, STD, STEEL 5/16"	79263	4
20	CAPSCREW, HEX, 5/16-24 X 1-1/2, GRADE 5	79325	4
21	CAPSCREW, HEX, 5/16-24 X 1, GRADE 5	90238	3
22	THROTTLE CABLE	79096	1
23	CHOKE CABLE	79083	1
--	TAG "NOTICE ADD OIL, GAS, ETC."	79241	1

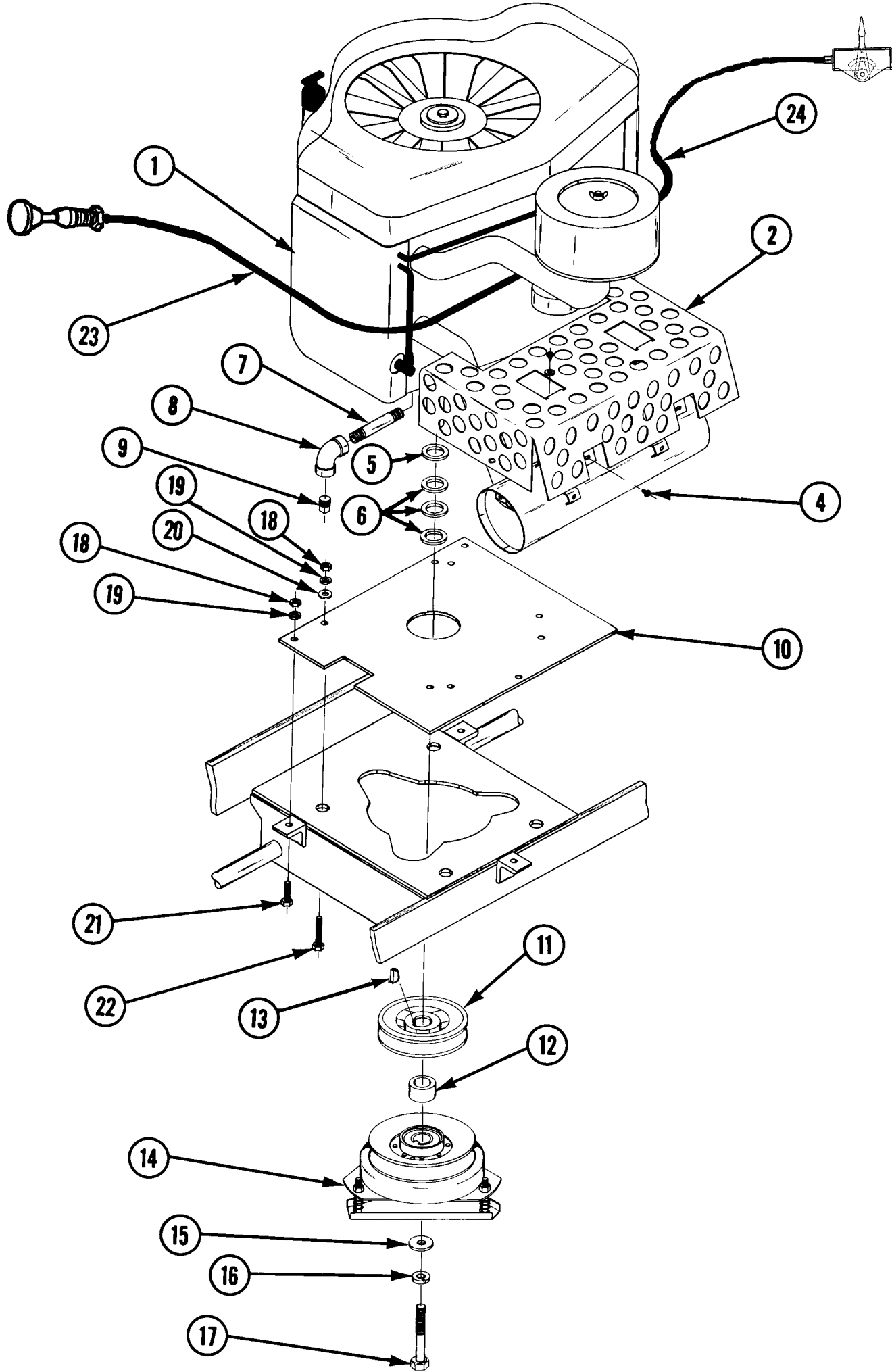
NOTE: FOR PROPER BELT CLEARANCE, ALL SPACERS MUST BE USED AS CALLED OUT.



# TWIN CYLINDER ENGINE ASSEMBLY, KOHLER

ITEM	DESCRIPTION	PART NO.	QTY.
--	MOTOR ASSEMBLY, 20 HP KOHLER	NA	1
1	ENGINE, 20 HP KOHLER	NA	1
2	MUFFLER GUARD	79144	1
4	SCREW, #8 X 1/2 SHEET METAL MUFFLER GUARD	79424	6
5	WASHER, 1-1/2 OD X 1-1/8 ID X 1/16 THK	79427	1
6	WASHER, 1-1/2 OD X 1-1/8 ID X 1/8 THK	79426	3
7	NIPPLE, 3/8 X 4, SCH. 40, BLACK	79425	1
8	ELBOW, 3/8, 90 DEGREE, SCH. 40	79210	1
9	3/8 PIPE PLUG	79367	1
10	MOTOR MOUNTING PLATE	79114	1
11	PULLEY BK50 1-1/8 ID 4" A PITCH	79423	1
12	SPACER, PULLEY/ELECTRIC CLUTCH	79071	1
13	KEY, WOODRUFF 1/4 X 3/4	79159	1
14	CLUTCH, ELECTRIC #5210-17	79446	1
15	WASHER, 15/32" ID	79022	1
16	LOCKWASHER, 7/16 SPLIT SPRING	90247	1
17	CAPSCREW, 7/16-20 X 3, GRADE 5	79314	1
18	NUT, 5/16-24 UNF, GRADE 5	79324	7
19	LOCKWASHER, 5/16 HEAVY SPRING	79267	7
20	WASHER, FLAT, STD, STEEL, 5/16"	79263	4
21	CAPSCREW, HEX, 5/16-24 X 1, GRADE 5	90238	3
22	CAPSCREW, HEX, 5/16-24 X 1-1/2, GRADE 5	79325	4
23	CHOKE CABLE	79140	1
24	THROTTLE CABLE	79141	1
--	TAG "NOTICE ADD OIL, GAS, ETC."	79241	1
--	DECAL "PERIODICALLY CLEAN"	79237	1

NOTE: FOR PROPER BELT CLEARANCE, ALL SPACERS MUST BE USED AS CALLED OUT.



## DECALS

TRACTORS	
DESCRIPTION	PART NO.
DECAL, "PERIODICALLY CLEAN DEBRIS"	79237
DECAL, "CAUTION-TO AVOID INJURY" (LEFT SIDE)	79238
(RIGHT SIDE)	79239
DECAL, PARKING BRAKE	79235
DECAL, INSTRUMENT PANEL	79243
DECAL, INSTRUMENT PANEL, JOYSTICK	79558
DECAL, MOWER BLADE HEIGHT	79236
SAFETY TREAD (LOCATED ON STD. FOOT REST)	79232
(LOCATED ON AUX. FOOT REST)	79231
DECAL, MOWER OPERATION INST.	79340
DECAL, MOWER OPERATION INST., JOYSTICK	79559
DECKS	
DESCRIPTION	PART NO.
DECAL, BLOODY STUMP	79234
DECAL, "WARNING, ROTATING BLADES --"	79240
DECAL, "DECK CHUTE IS REMOVED --"	79242



— LABEL #79256



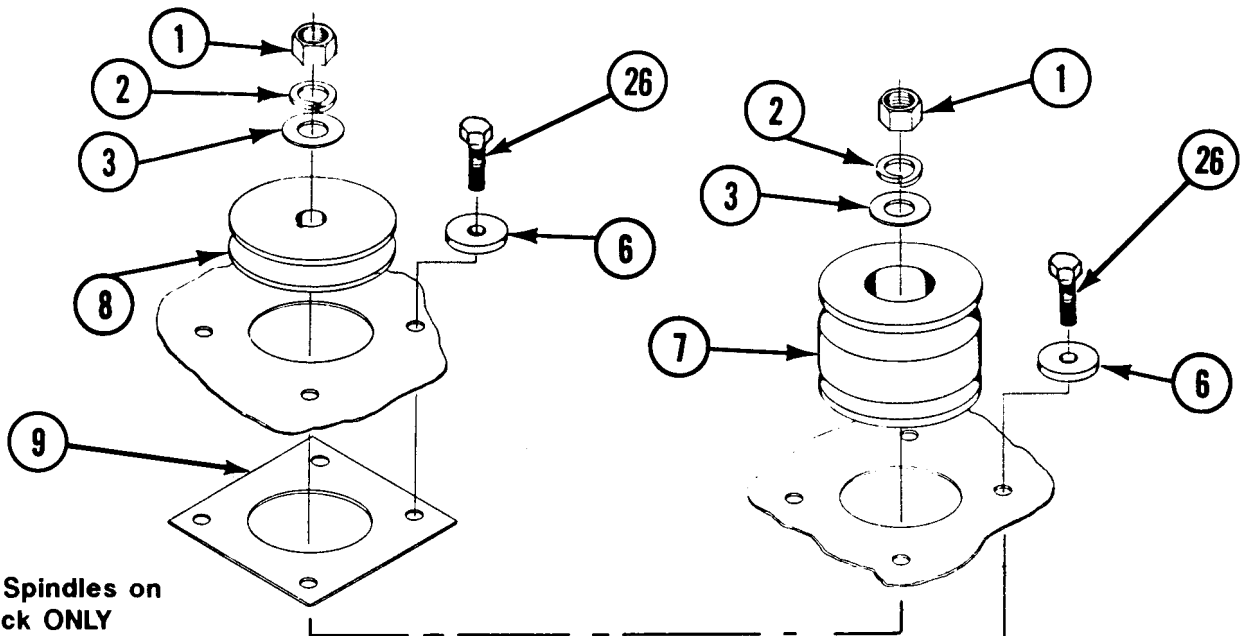
## DECK SPINDLE ASSEMBLY

Including Mounting Hardware and Blades

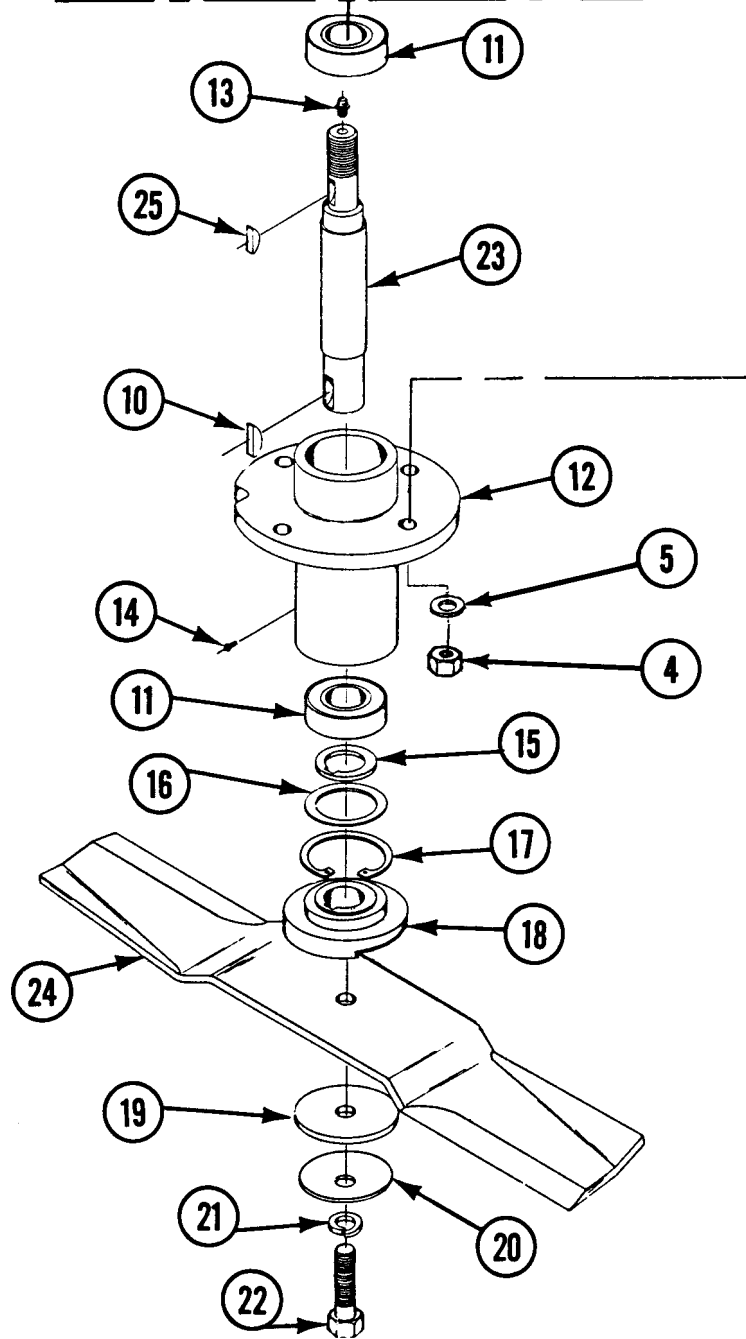
ITEM	DESCRIPTION	PART NO.	QTY
1	NUT, HEX JAM, 3/4-16 UNF	79286	1
2	LOCKWASHER, 3/4 STD, SPLIT SPRING	79287	1
3	WASHER, 3/4 FLAT, TYPE B NARROW	79299	1
4	LOCKNUT, HEX, 3/8-24	79327	4
5	LOCKWASHER 3/8 HEAVY SPRING TYPE	79268	4
6	SPINDLE SPACER REINFORCEMENT	79039	4
7	PULLEY, 2 GROOVE, 4" OD (42" DECK)	79045	1
	4-1/2" OD (48" DECK)	79050	1
	5-3/8" OD (60" DECK)	79054	1
8	PULLEY, 1 GROOVE, 4" OD	79037	2
9	SHIM, SPINDLE HOUSING (42" DECK ONLY)	79021	2
--	SPINDLE ASSEMBLY	79048	3
10	WOODRUFF KEY, 1/4 X 3/4	79159	1
11	BEARING, 1" BORE, 2" OD, 1/2 WIDE	79173	2
12	SPINDLE HOUSING	79034	1
13	GREASE FITTING, 1/4-28, SELF-TAP	79370	1
14	SCREW, ROUND HEAD, DRIVE, #4 X 3/16	79269	1
15	SPACER, ARBOR, 3/32 THICK, 1" BORE	79044	1
16	SEAL WASHER	79036	1
17	SNAP RING, INTERNAL, 2"	79219	1
18	BLADE SPACER, 2-1/2 BLADES	79035	1
19	WASHER, FLAT .515 ID, 2-1/2 OD	79038	1
20	CUPPED WASHER, 1/2"	79269	1
21	LOCKWASHER, 1/2 STD, SPLIT SPRING	90254	1
22	CAPSCREW, HEX, 1/2-13 X 1-1/2, GRADE 5	79308	1
23	SHAFT, BLADE SPINDLE	79033	1
24	BLADE, LOW LIFT, 15" CUT (42" DECK)	79221	1
	BLADE, HIGH LIFT, 17" CUT (48" DECK)	79388	1
	BLADE, HIGH LIFT, 21" CUT (60" DECK)	79371	1
25	WOODRUFF KEY, 3/16 X 5/8	79170	1
26	CAPSCREW, HEX, 3/8-24 X 1-1/2, GRADE 5	79326	4

NOTE: OPTIONAL BLADES ARE AVAILABLE AS FOLLOWS:

BLADE, HIGH LIFT, 15" CUT (42" DECK)	79389
BLADE, LOW LIFT, 17" CUT (48" DECK)	79369
BLADE, LOW LIFT, 21" CUT (60" DECK)	79222



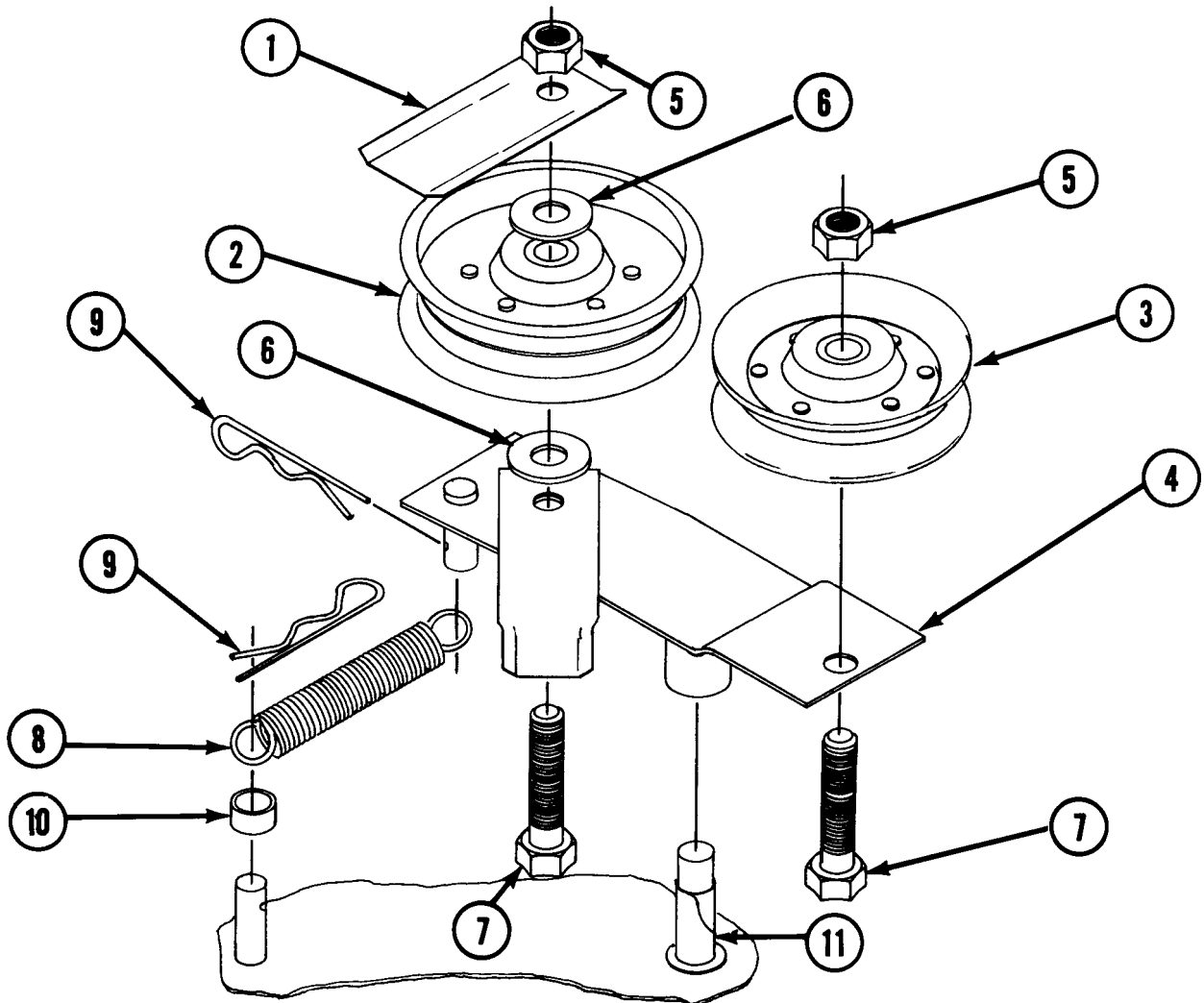
Outside Spindles on  
42" Deck ONLY



# DOUBLE IDLER ASSEMBLY

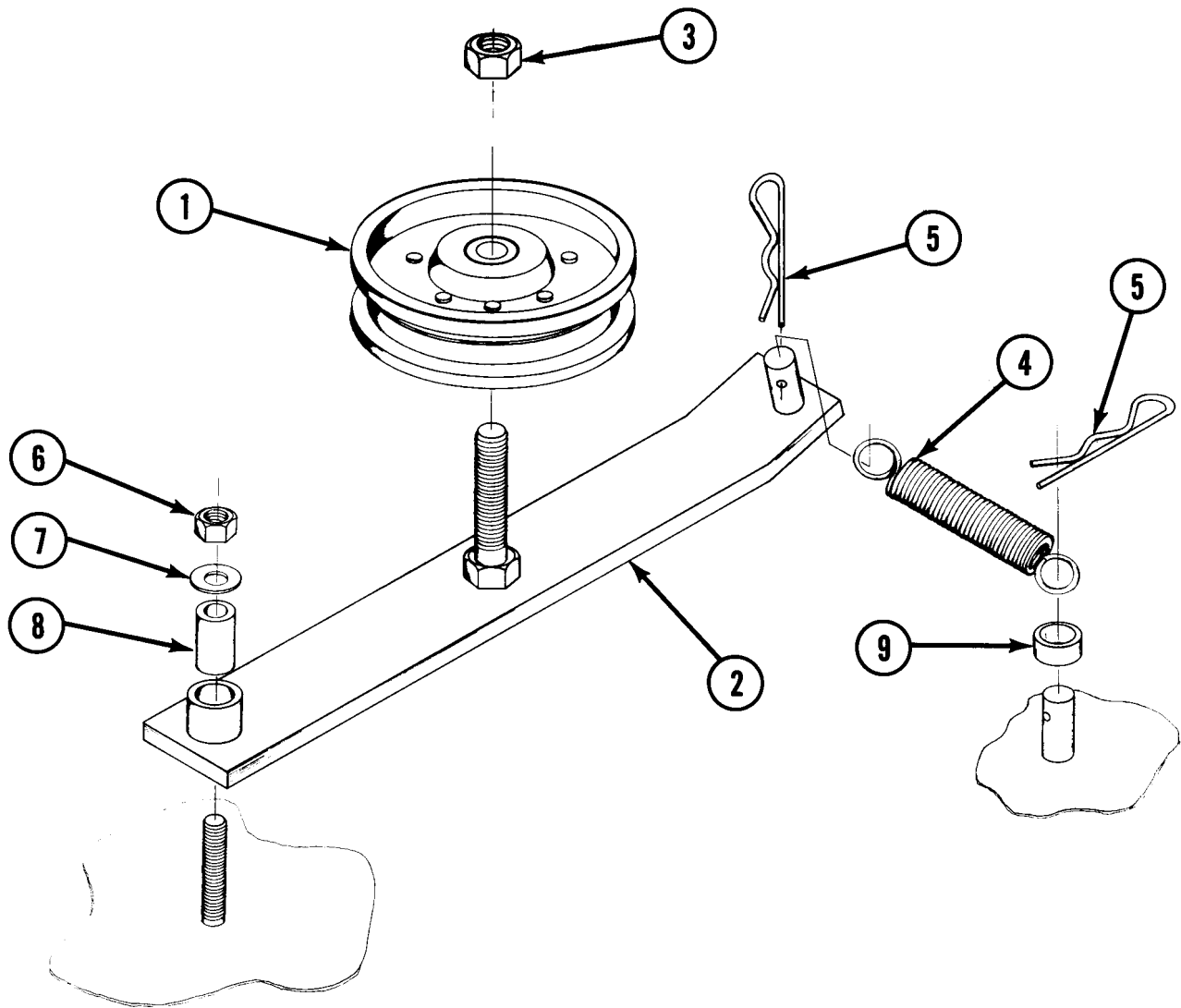
ITEM	DESCRIPTION	PART NO.	QTY.
--	DOUBLE IDLER ASSEMBLY	79030	--
1	PLATE, BELT STOP	79032	1
2	PULLEY, FLAT IDLER, 1/2 BORE, 4" OD	79167	1
3	PULLEY, V IDLER, 1/2 BORE, 4-3/8" OD	79166	1
4	DOUBLE IDLER WELDMENT, ELECTRIC CLUTCH	79031	1
5	LOCKNUT, HEX, 1/2-13, W/NYLOC	79277	2
6	WASHER, 1/2 STD, FLAT	79264	2
7	CAPSCREW, HEX, 1/2-13 X 2", GRADE 5	79267	2
8	SPRING, EXTENSION, 3/4 X 4 OAL	79217	1
9	PIN, HAIR SPRING, 1/8 X 2-1/2	79289	2
10	SPRING SPACER	79349	1
11	BUSHING, NYLON, 5/8 BORE	79175	1

**NOTE:** On older model mowers, the double idler assembly required (2) 1/2" washers (Item #6) between the V-idler and the doubler idler weldment and was held together with a cap-screw, machined hex head, 1/2-13 x 2" (Part no. 79018). The current double idler assembly does not need these washers or machined capscrew. The offset in the double idler weldment takes the place of these items.



# SINGLE IDLER ASSEMBLY

ITEM	DESCRIPTION	PART NO.	QTY.
--	SINGLE IDLER ASSEMBLY	79016	--
1	PULLEY, FLAT IDLER, 1/2 BORE 4", OD	79167	1
2	SINGLE IDLER WELDMENT	79015	1
3	LOCKNUT, HEX, 1/2-13, W/NYLOC	79277	1
4	SPRING, EXTENSION, 3/4 X 4" OAL	79217	1
5	PIN, HAIR SPRING, 1/8 X 2-1/2	79289	1
6	LOCKNUT, HEX, 3/8-16 W/NYLOC	79273	1
7	WASHER, 3/8 STD, FLAT, W SERIES	90600	1
8	BEARING, OILITE, 3/8 ID X 5/8 ØD	79174	1
9	SPRING SPACER	79349	1

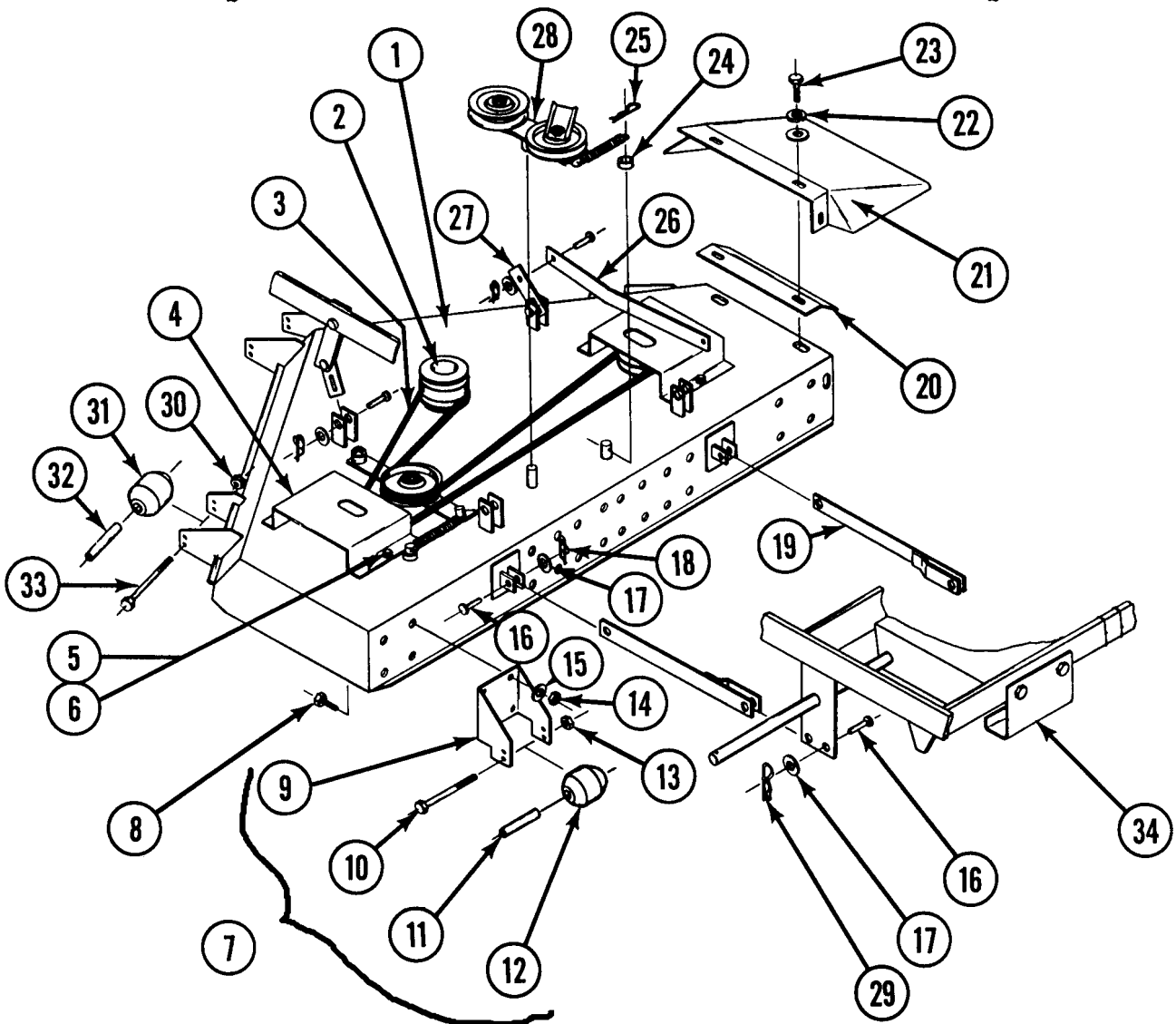
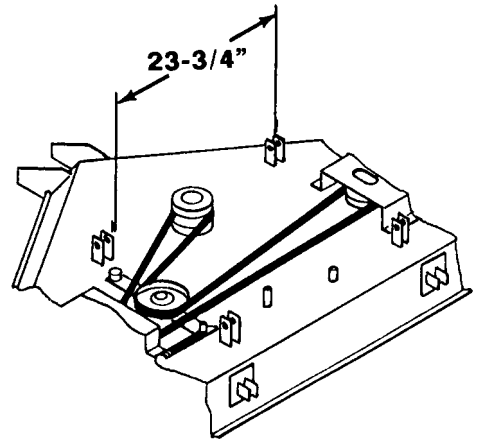
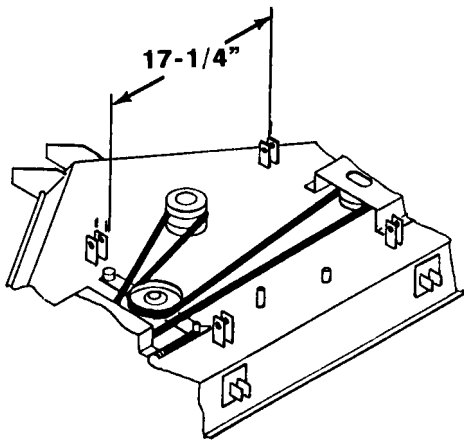


## 42" and 48" MOWER DECK ASSEMBLIES

ITEM	DESCRIPTION	PART NO.	QTY.
--	MOWER DECK ASS'Y. 42" COMPLETE	--	--
	MOWER DECK ASS'Y. 42" WIDE HANGER COMPLETE	--	--
	MOWER DECK ASS'Y. 48" COMPLETE	--	--
	MOWER DECK ASS'Y. 48" WIDE HANGER COMPLETE	--	--
1	DECK WELDMENT, 42"	79045	1
	DECK WELDMENT, 42" WIDE HANGER	79560	1
	DECK WELDMENT, 48"	79049	1
	DECK WELDMENT, 48" WIDE HANGER	79561	1
2	SPINDLE ASSEMBLY	79048	3
3	BELT, L496, 42" DECK	79168	1
	BELT, AP105, 48" DECK	79182	1
4	PULLEY COVER	79348	2
5	LOCKWASHER, 1/4 STD, SPLIT SPRING	90052	4
6	CAPSCREW, HEX, 1/4-20 X 3/4, GRADE 5	90073	4
7	SINGLE IDLER ASSEMBLY	79016	1
8	CAPSCREW, HEX, 3/8-16 X 7/8, GRADE 5	90603	8
--	ANTISCALPER ROLLER ASSEMBLY	79052	2
9	REAR SCALPER BRACKET	79024	1
10	CAPSCREW, HEX, 3/8-16 X 4-1/2, GRADE 5	90591	1
11	ROLLER SPACER BUSHING	79023	1
12	ANTISCALPER ROLLER	79226	1
13	LOCKNUT, HEX, 3/8-16 UNC	90499	1
14	LOCKNUT, HEX, 3/8-16 W/ NYLOC	79273	8
15	WASHER, 3/8 FLAT, W SERIES	90600	8
16	PIN, CLEVIS, 5/16 X 1-1/4	79284	12
17	WASHER, 5/16 FLAT, STD	79263	12
18	COTTER, RUE RING, 5/16 - 3/8 PIN	79291	10
19	LINKAGE BAR 42" & 48" STANDARD DECK	79070	2
20	CHUTE DEFLECTOR 42" DECK	79047	1
	CHUTE DEFLECTOR 48" DECK	79051	1
21	GRASS CHUTE ASSEMBLY 42" DECK	79028	1
	48" DECK	79029	1
22	LOCKWASHER, 5/16 HEAVY, SPLIT SPRING	79267	4
23	CAPSCREW, HEX, 5/16-18 X 3/4, GRADE 5	79315	4
24	SPRING SPACER	79349	2
25	PIN, HAIR SPRING, 1/8 X 2-1/2	79289	2
26	DECK CONNECTOR BAR	79126	2
27	DECK ADJUSTMENT BAR	79131	4
28	DOUBLE IDLER ASSEMBLY	79030	1
29	PIN, HAIR SPRING, .080 X 1-9/16	79282	2
30	LOCKNUT, HEX, 3/8-16 W/NYLOC	90499	3
31	ANTISCALPER ROLLER	79226	3
32	ROLLER SPACER BUSHING	79023	3
33	CAPSCREW, HEX, 3/8-16 X 4-1/2, GRADE 5	90591	3
34	CLUTCH STOP GUARD	79063	1
--	BELT L583 DECK TO MOTOR (NOT SHOWN) (ALL DECKS FOR "S" FRAME TRACTOR)	79169	1
--	BELT BP-84 DECK TO MOTOR (NOT SHOWN) (ALL WIDE HANGER "SK" FRAME TRACTORS)	79563	1

# NARROW HANGER DECK

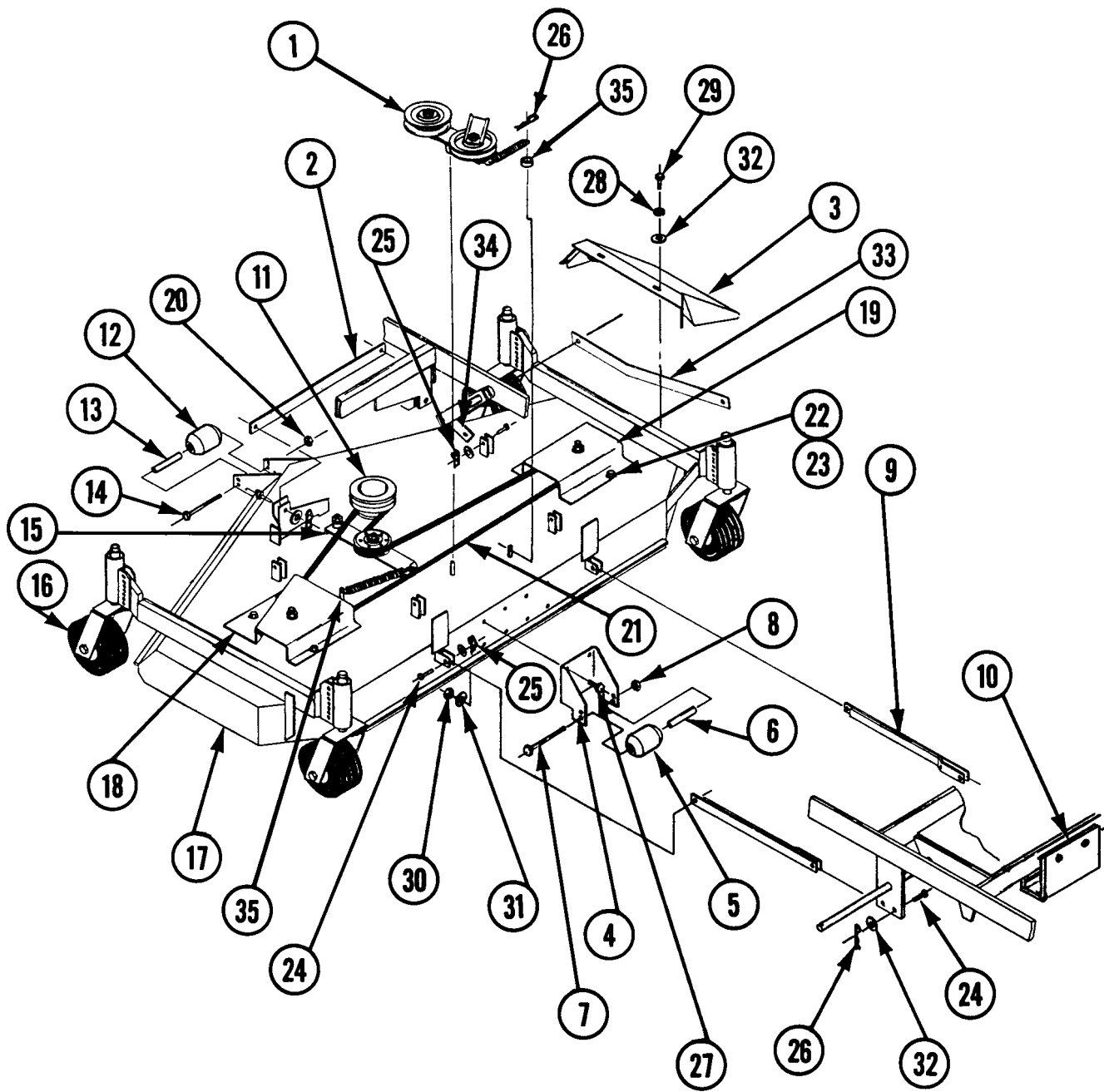
# WIDE HANGER DECK



**NOTE: REAR SCALPER BRACKETS MAY BE BOLTED TO THE INSIDE POSITIONS FOR ROUGH AREAS OR TO THE OUTSIDE REAR CORNERS FOR CUTTING LESS ROUGH AREAS.**

## 60" MOWER DECK ASSEMBLY

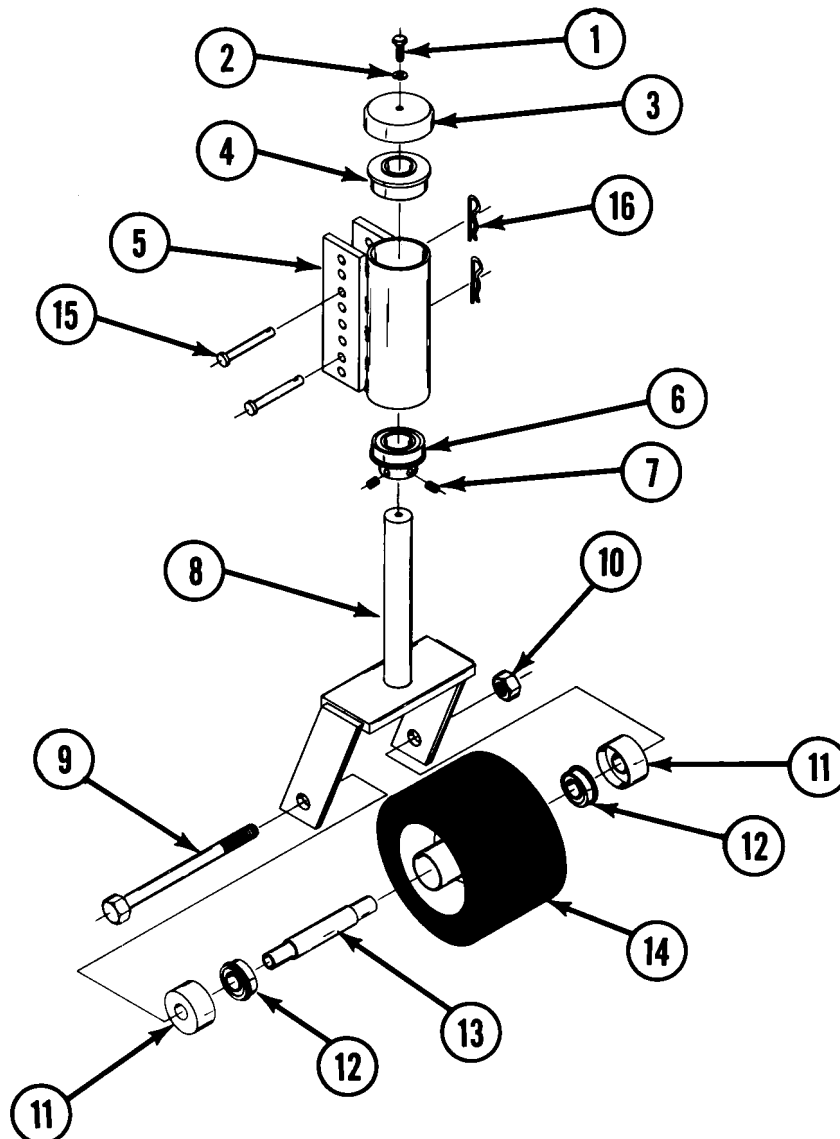
ITEM	DESCRIPTION	PART NO.	QTY.
1	DOUBLE IDLER ASSEMBLY	79030	1
2	LATERAL BRACE	79041	1
3	GRASS CHUTE ASSEMBLY	79055	1
--	ANTISCALPER ROLLER ASSEMBLY	79052	2
4	REAR SCALPER BRACKET	79024	1
5	ANTISCALPER ROLLER	79226	1
6	ROLLER SPACER BUSHING	79023	1
7	CAPSCREW, HEX 3/8-16 X 4-1/2, GRADE 5	90591	1
8	LOCKNUT, HEX 3/8-16 UNC	90499	1
9	DRAG BAR WELDMENT	79120	2
10	CLUTCH STOP GUARD	79063	1
--	LONG FRAME DECK ASSEMBLY, COMPLETE	--	--
11	SPINDLE ASSEMBLY	79048	3
12	ANTISCALPER ROLLER	79226	1
13	ROLLER SPACER BUSHING	79023	1
14	CAPSCREW, HEX 3/8-16 X 4-1/2 GRADE 5	90591	1
15	SINGLE IDLER ASSEMBLY	79016	1
16	GAUGE WHEEL ASSEMBLY	79353	4
17	DECK WELDMENT ( 60" )	79053	1
18	LEFT PULLEY COVER	79043	1
19	RIGHT PULLEY COVER	79042	1
20	LOCKNUT, HEX 3/8-16 UNC	90499	1
21	BELT, A-112	79186	1
22	LOCKWASHER, 1/4, SPLIT SPRING	90052	4
23	CAPSCREW, HEX, 1/4-20 X 3/4, GRADE 5	90073	4
24	PIN, CLEVIS, 5/16 X 1-1/4	79284	10
25	COTTER, RUE RING, 5/16 - 3/8 PIN	79291	10
26	PIN, HAIR SPRING, .080 X 1-9/16	79282	2
27	CAPSCREW, HEX, 3/8-16 X 7/8, GRADE 5	90603	8
28	LOCKWASHER, 5/16, HEAVY SPRING	79267	4
29	CAPSCREW, HEX, 5/16-18 X 3/4, GRADE 5	79315	4
30	LOCKNUT, HEX, 3/8-16 W/ NYLOC	79273	8
31	WASHER, 3/8 STD, FLAT, W SERIES	90600	8
32	WASHER, 5/16 STD, FLAT, W SERIES	79263	14
33	DECK CONNECTOR BAR	79126	2
34	DECK ADJUSTMENT BAR	79131	4
35	SPRING SPACER	79349	1
	NOT SHOWN:		
--	BELT, L597, ENGINE TO MOWER ("LB" FRAME)	79333	1
	BELT, B97, ENGINE TO MOWER ("LK" FRAME)	79190	1





# GAUGE WHEEL ASSEMBLY

ITEM	DESCRIPTION	PART NO.	QTY.
--	GAUGE WHEEL ASSEMBLY	79353	--
1	CAPSCREW, HEX, 1/4-20 X 5/8, GR. 5	79344	1
2	LOCKWASHER, 1/4 SPLIT SPRING	90052	1
3	CAP, BEARING	79352	1
4	BEARING, 1" BORE	79331	1
5	CASTER TUBE WELDMENT	79040	1
6	BEARING, 1" BORE	79330	1
7	SETSCREW 1/4-28 X 5/16 NYLOCK	79288	2
8	CASTER YOKE WELDMENT	79351	1
9	CAPSCREW, 1/2-13 X 5-1/2, GR. 5	79366	1
10	NUT, HEX 1/2-13 STOVER	79262	1
11	SHIELD, BEARING	79357	2
12	BEARING, 5/8 I.D. X 1-3/8 O.D.	79339	2
13	SPACER, BEARING	79350	1
14	WHEEL ASSEMBLY; RIM, TIRE & BEARINGS	79185	1
15	PIN, CLEVIS 3/8 X 2	79318	2
16	PIN, HAIR SPRING X 1-9/16	79282	2

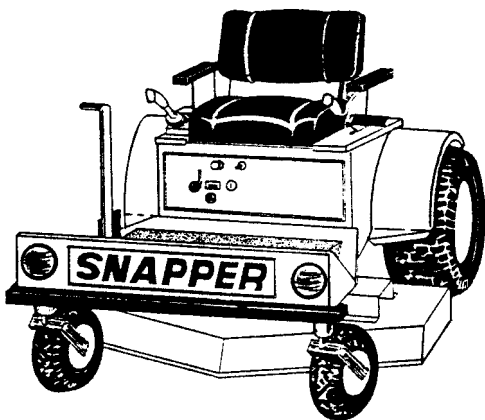




PARTS MANUAL for

# **SNAPPER**<sup>®</sup>

**ZERO TURNING RADIUS MOWERS**



**SNAPPER** McDonough, GA., 30253 U.S.A.